



CR123A

2/3A size spiral cell

Technical Datasheet

The ABLE Advantage

Better technology. Our batteries enable us to design leading-edge solutions for the world's most demanding applications.



FEATURES

- High and stable operating voltage
- Superior drain capability
- Low self-discharge rate
(less than 2% after 1 year of storage at 20°C)
- Hermetic glass-to-metal sealing
- Built safety vent
- Non-flammable electrolyte

APPLICATIONS

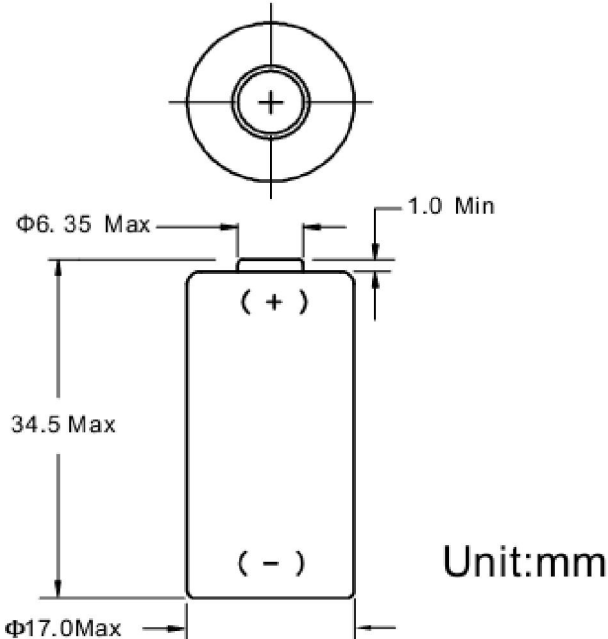
- Radio communication and other military applications
- Alarms and security systems
- Transmitters
- GPS
- Digital cameras
- Others

SPECIFICATIONS

Part No	CR123A
Voltage Range	1.5 to 3.3 V
Nominal Voltage	3.0 V
Nominal Capacity	1500 mAh @ 10 mA to 2.0 V @ 23° C
Max. Discharge	1000mA continuous
Pulse Capability	Up to 2000 mA Varies according to pulse characteristics, temperature, cell history and the application. Consult ABLE.
Typical Weight	18.0 grams
Operating Temp	-20° C to 60° C
Storage Temp	+30° C max, for more conditions please consult ABLE
Exterior/Housing	Nickel plated steel
Terminals/Connector	radial tabs/ radial pins/axial leads/flying leads
Safety	AL-MSDS/RD-003
Transportation	Excepted from Regulations – see note 1

Note 1	For a complete description of transportation regulations and definitions of the transportation classifications "Excepted" and "Class 9," refer to the Ultralife web site at www.ultralifecorporation.com .
--------	--

DIMENSIONS



PERFORMANCE GRAPHS

