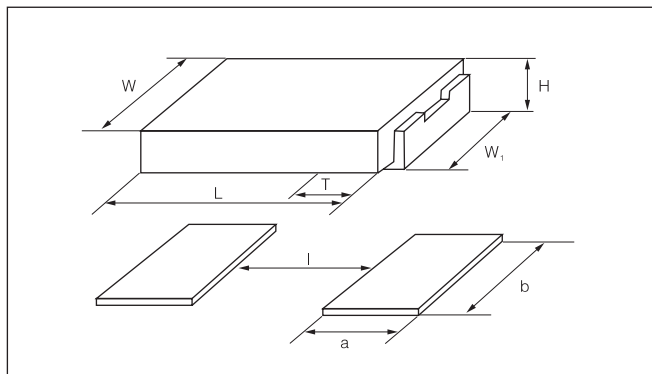


WSR 塑封精密金属条片式分流器 plastic-encased precision metal film strip chip shunts



■ 构造图 Construction



■ 产品特点 Features

- 电阻体采用高能电子束焊接镍铬合金或锰铜合金材料
- 高强度、高稳定性、高可靠、可焊性好
- 低热势，低电感（0.5nH到5nH）
- 高温模压封装
- 专有工艺技术能生产极低阻值电阻
- WSR5设计时提高了热处理能力
- Resistive element made of E-Beam welded Nickel-chrome or manganin
- High strength, stability, reliability and excellent solderability
- Low thermal EMF, very low inductance (0.5nH to 5nH)
- Milded high temperature encapsulation
- Proprietary processing technique produce extremely low resistance value
- WSR5 improved the capability of heat treatment in design

■ 外形尺寸 Dimensions(mm)

型号 Type	L	H	T	W	W ₁
WSR1	6.35 ± 0.254	2.11 ± 0.254	1.19 ± 0.254	3.18 ± 0.254	2.54 ± 0.254
WSR2 WSR3 WSR5	11.56 ± 0.813	2.41 ± 0.127	2.54 ± 0.254	6.98 ± 0.127	5.46 ± 0.127

型号 Type	a	b	l
WSR1	2.11	3.68	3.18
WSR2 WSR3 WSR5	3.94	5.84	5.21

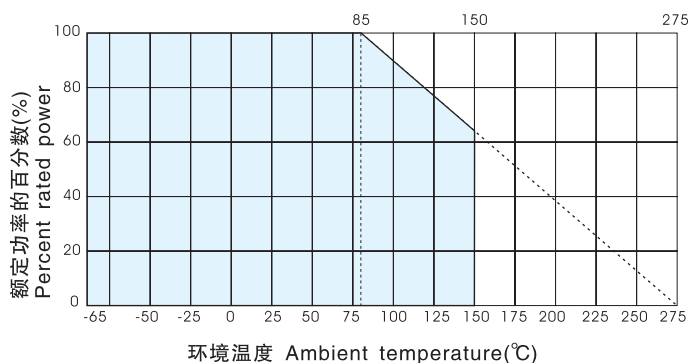
■ 应用范围 Applications

- 适用于功能电源
- 仪器仪表
- 功率放大器在内的电流感应，取样电路和脉冲电路等领域。
- Ideal for functional power supply
- Instruments
- circuit applications including current sensing sampling and power amplifiers, ect

■ 执行标准 Reference Standards

Q/ATK062

■ 降功耗曲线 Derating Curve



WSR 塑封精密金属条片式分流器

Plastic-encased precision metal film strip chip shunts

■ 技术说明 Technical Specifications

型号 Type	尺寸代码 Dimensions	额定功率 Power rating (W)	阻值范围 Resistance range(Ω)		温度系数 TCR (PPM/ $^{\circ}$ C)	绝缘电压 Insulation Voltage(VAC)	绝缘电阻 Insulation Resistance(Ω)	1000片重量 Weight/ 1000pcs(g)
			$\pm 0.5\%$	$\pm 1\%$				
WSR1	2512	1.0	0.01~0.1	0.001~0.1	± 10 ± 25 ± 50 ± 100	> 500	> 10^9	200
WSR2	4527	2.0	0.01~0.5	0.001~0.5		> 500	> 10^9	440
WSR3	4527	3.0	0.01~0.2	0.001~0.2		> 500	> 10^9	440
WSR5	4527	5.0	0.01~0.3	0.008~0.3		> 500	> 10^9	476

■ 性能指标 Performance

试验项目 Test item	性能要求 Specifications	试验方法 Test Methods
热冲击 Thermal Shock	$\Delta R \leq \pm (0.5\% + 0.0005 \Omega)$	$-65^{\circ}\text{C} / 150^{\circ}\text{C}$, 15min, 1000cycles
过负载 Over Load	BWSR1/2: $\Delta R \leq \pm (0.5\% + 0.0005 \Omega)$ BWSR3/5: $\Delta R \leq \pm (2\% + 0.0005 \Omega)$	BWSR1/2: $5P_R$, 5S BWSR3/5: $4P_R$, 5S
低温试验 Low Temperature Storage	$\Delta R \leq \pm (0.5\% + 0.0005 \Omega)$	-65°C , 24h
高温试验 Hige Temperature Storage	$\Delta R \leq \pm (1.0\% + 0.0005 \Omega)$	275°C , 1000h
稳态湿热 Damp heat, Steady state	$\Delta R \leq \pm (0.5\% + 0.0005 \Omega)$	40°C , RH93 $\pm 3\%$, $0.1P_R$, 1000h
机械冲击 Mechanical Shock	$\Delta R \leq \pm (0.5\% + 0.0005 \Omega)$	100g, 6ms, 5cycles
振动试验 Vibration	$\Delta R \leq \pm (0.5\% + 0.0005 \Omega)$	10~2000HZ, 12h
长期试验 Load Life	BWSR1/2: $\Delta R \leq \pm (1.0\% + 0.0005 \Omega)$ BWSR3/5: $\Delta R \leq \pm (2.0\% + 0.0005 \Omega)$	70°C , P_R , 1000h
耐焊接热 Leaching	$\Delta R \leq \pm (0.5\% + 0.0005 \Omega)$	$+260^{\circ}\text{C}$, 10S

■ 订货示例 How To Order

例如 Example

WSR	1	1W	0.05m Ω	$\pm 1.0\%$	盒装	330mm	1000
产品型号 Type	类型 Style	功率 Power	标称阻值 Nominal Value	精度 Tolerance	包装方式 Packaging	直径 Diameter	数量 Weight
WSR	1 2 3 5	1W 2W 3W 5W	0.05m Ω	$\pm 0.5\%$ $\pm 1.0\%$	盒装 box	330mm	1000