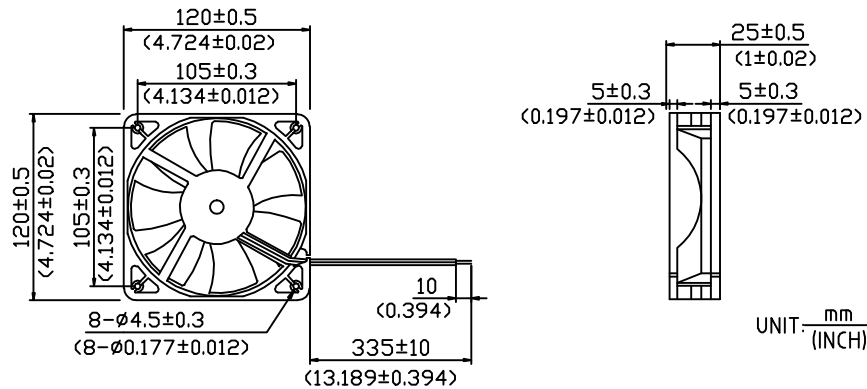




Dongguan BEST motor co., LTD

BEST 120×120×25 MM

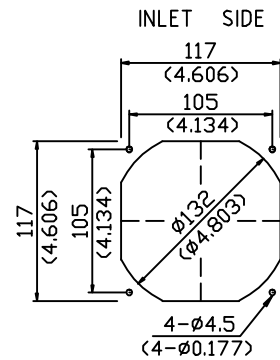
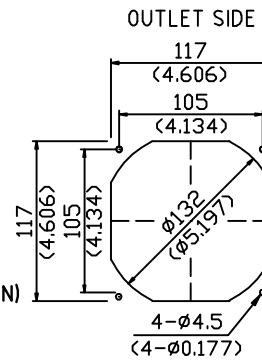
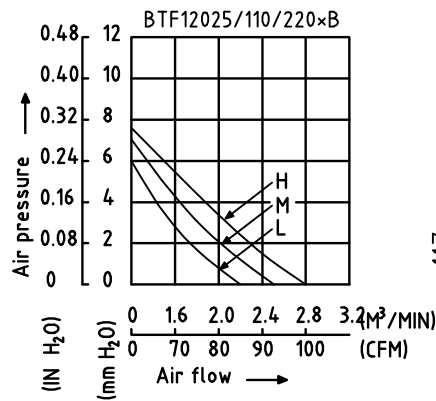
DIMENSIONS DRAWING



- ×Bearing Type
Ball Bearings
- ×Material
Impeller & Frame: Plastic (UL94V-0)
- ×Lead Wires:
UL 1007 AWG#24 OR Equivalent
Red Wire Positive(+)
Black Wire Negative(-)
- ×Weight: 198g (6.98OZ)

P&Q CURVE (AT RATED VOLTAGE)

MOUNTING PANEL CUTOUT



UNIT: $\frac{\text{mm}}{\text{INCH}}$

MODEL	Rated Voltage	Operating Voltage Range	Rated Input Power	Frequency	Speed	Maximum Air Flow		Maximum Air Pressure		Noise
						M ³ /MIN	CFM	mmH ₂ O	IN H ₂ O	
PART NO.	VAC	VAC	Watt	Hz	R.P.M.	M ³ /MIN	CFM	mmH ₂ O	IN H ₂ O	dB-A
BTF12025L110B	110	90 TO 130	1.90	50/60	2400	2.248	79.36	6.00	0.236	37.0
BTF12025M110B	110	90 TO 130	2.90	50/60	2700	2.528	89.28	6.75	0.266	41.6
BTF12025H220B	220	180 TO 260	4.30	50/60	3000	2.809	99.20	7.50	0.295	46.2

- ×Function type is optional.
- ×The max. air flow and the speed are measured in free air ; max.air pressure is measured at zero air flow.
- ×Noise is measured in anechoic chamber in free air, one meter from intake side.
- ×All readings are typical values at rated voltage.
- ×Specifications are subject to change without notice.

Address: No.88 Baihua Road, Baihuadong Village, Dalingshan Town, Dongguan, Guangdong.
 Mobile: 13823111573 13926873158
 Tel: 86-769-33217056 33217059
 FAX: 86-769-82761650
 QQ: 343315716 303294997
 E-mail: betterfan@163.com bestfan2118@163.com
 Web site: WWW.bestfan888.com