



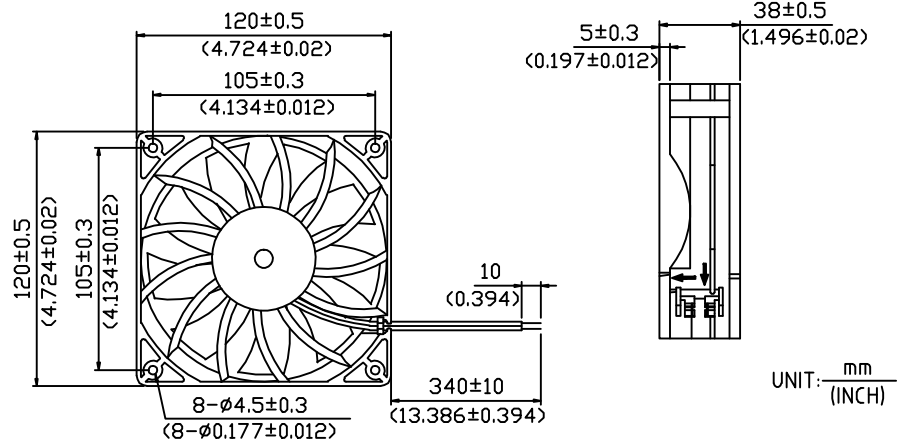
**东莞市贝斯特电机有限公司**

BEST 120×120×38 MM

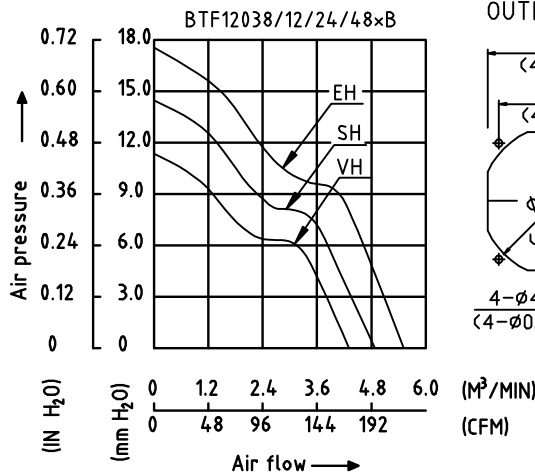
DIMENSIONS DRAWING



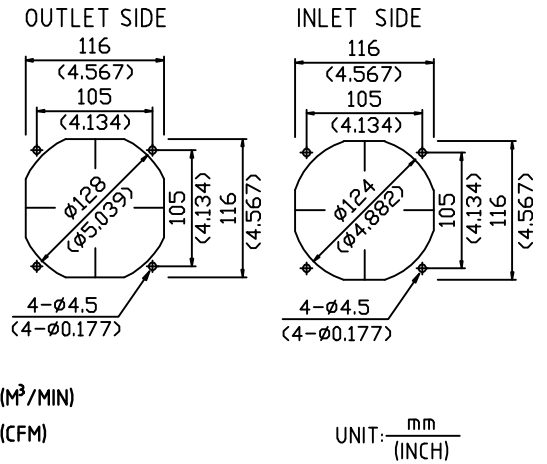
- ×Bearing Type  
Ball Bearings
- ×Material  
Impeller & Frame: Plastic(UL94V-0)
- ×Lead Wires:  
UL 1007 AWG#24 OR Equivalent  
Red Wire Positive(+)  
Black Wire Negative(-)
- ×Weight:370g(13.05OZ)



P&Q CURVE (AT RATED VOLTAGE )



MOUNTING PANEL CUTOUT



MODEL		Rated Voltage	Operating Voltage Range	Rated Current	Rated Input Power	Speed	Maximum Air Flow		Maximum Air Pressure		Noise
PART NO.	FUNCTION	VDC	VDC	Amp	Watt	R.P.M.	M <sup>3</sup> /MIN	CFM	mmH <sub>2</sub> O	IN H <sub>2</sub> O	dB-A
BTF12038VH12B	-R00/-F00	12	7.0 TO 13.2	1.00	12.00	3200	4.300	151.85	11.30	0.445	53.0
BTF12038VH24B	-R00/-F00	24	14.0 TO 26.4	0.56	13.44						
BTF12038VH48B	-R00/-F00	48	28.0 TO 56.0	0.28	13.44						
BTF12038SH12B	-R00/-F00	12	7.0 TO 13.2	1.50	18.00	3600	4.840	170.92	14.30	0.563	56.5
BTF12038SH24B	-R00/-F00	24	14.0 TO 26.4	0.80	19.20						
BTF12038SH48B	-R00/-F00	48	28.0 TO 56.0	0.38	18.24						
BTF12038EH12B	-R00/-F00	12	7.0 TO 13.2	2.00	24.00	4000	5.380	190.00	17.78	0.700	59.0
BTF12038EH24B	-R00/-F00	24	14.0 TO 26.4	1.00	24.00						
BTF12038EH48B	-R00/-F00	48	28.0 TO 53.0	0.50	24.00						

- ×Function type is optional.
- ×The max. air flow and the speed are measured in free air ; max.air pressure is measured at zero air flow.
- ×Noise is measured in anechoic chamber in free air,one meter from intake side.
- ×All readings are typical values at rated voltage.
- ×Specifications are subject to change without notice.

Address: No.88 Baihua Road,Baihuadong Village ,Dalingshan Town,Dongguan,Guangdong.  
 Mobile: 13823111573 13926873158  
 Tel: 86-769-33217056 33217059  
 FAX: 86-769-82761650  
 QQ: 343315716 303294997  
 E-mail: betterfan@163.com bestfan2118@163.com  
 Web site: WWW.bestfan888.com