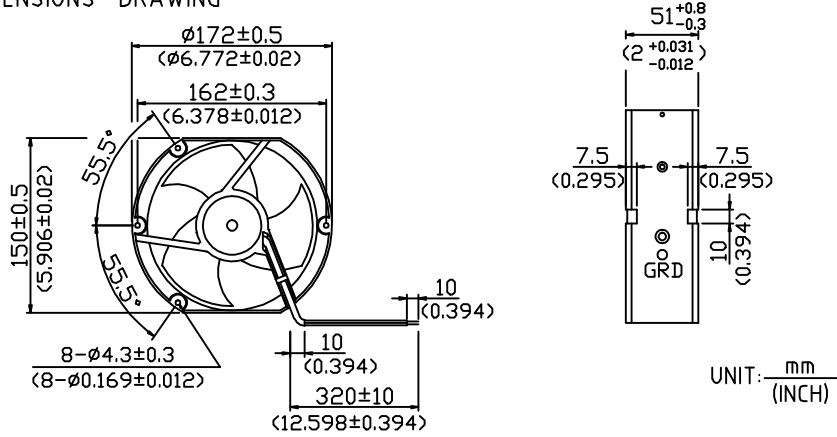




东莞市贝斯特电机有限公司

BEST 172x150x51 MM

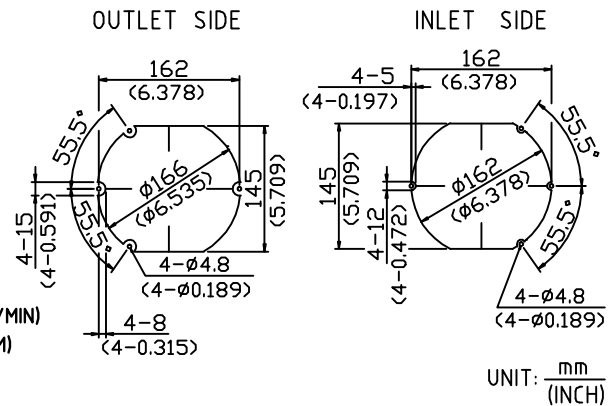
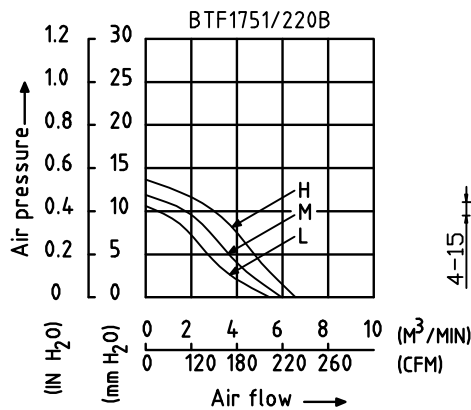
DIMENSIONS DRAWING



- × Bearing Type  
Ball Bearings
- × Material  
Impeller: Plastic (UL94V-0)  
Frame: Die-cast Aluminum
- × Lead Wires:  
UL 1007 AWG#24 OR Equivalent  
Red Wire Positive(+)  
Black Wire Negative(-)
- × Weight: 800g (29.62 OZ)

P&Q CURVE (AT RATED VOLTAGE)

MOUNTING PANEL CUTOUT



MODEL	Rated Voltage	Operating Voltage Range	Rated Input Power	Frequency	Speed	Maximum Air Flow		Maximum Air Pressure		Noise
						M <sup>3</sup> /MIN	CFM	mmH <sub>2</sub> O	IN H <sub>2</sub> O	
PART NO.	VAC	VAC	Watt	Hz	R.P.M.	M <sup>3</sup> /MIN	CFM	mmH <sub>2</sub> O	IN H <sub>2</sub> O	dB-A
BTFA1751L220B	220	180 TO 220	8.20	50/60	2500	5.313	187.6	10.63	0.419	44.6
BTFA1751M220B	220	180 TO 220	11.9	50/60	2800	5.950	210.1	11.90	0.469	50.0
BTFA1751H220B	220	180 TO 220	16.6	50/60	3100	6.588	240.1	13.18	0.519	55.4

- × Function type is optional.
- × The max. air flow and the speed are measured in free air ; max.air pressure is measured at zero air flow.
- × Noise is measured in anechoic chamber in free air, one meter from intake side.
- × All readings are typical values at rated voltage.
- × Specifications are subject to change without notice.

Address: No.88 Baihua Road, Baihuadong Village, Dalingshan Town, Dongguan, Guangdong.  
 Mobile: 13823111573 13926873158  
 Tel: 86-769-33217056 33217059  
 FAX: 86-769-82761650  
 QQ: 343315716 303294997  
 E-mail: betterfan@163.com bestfan2118@163.com  
 Web site: WWW.bestfan888.com