



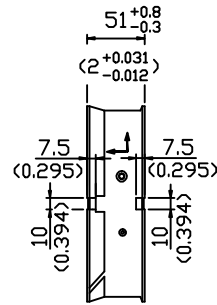
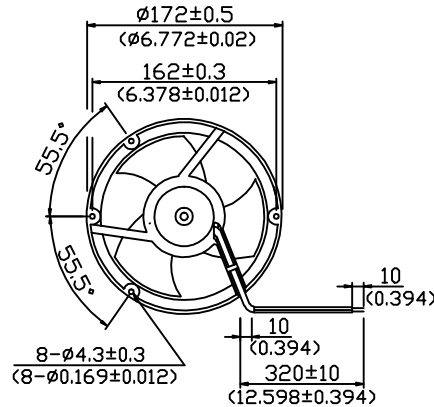
东莞市贝斯特电机有限公司

BEST  $\Phi 172 \times 51 \text{MM}$

DIMENSIONS DRAWING

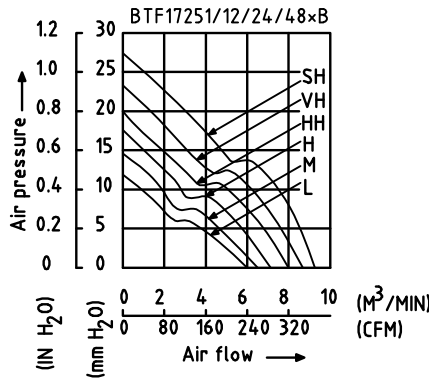


- ×Bearing Type  
Ball Bearings
- ×Material  
Impeller: Plastic (UL94V-0)  
Frame: Die-Cast Aluminum
- ×Lead Wires:  
UL 1007 AWG#24 OR Equivalent  
Red Wire Positive(+)  
Black Wire Negative(-)
- ×Weight: 800g(29.62 OZ)

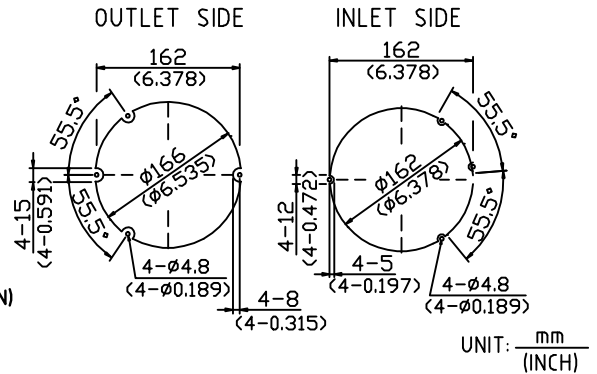


UNIT:  $\frac{\text{mm}}{\text{(INCH)}}$

P&Q CURVE (AT RATED VOLTAGE )



MOUNTING PANEL CUTOUT



UNIT:  $\frac{\text{mm}}{\text{(INCH)}}$

MODEL		Rated Voltage	Operating Voltage Range	Rated Current	Rated Input Power	Speed	Maximum Air Flow		Maximum Air Pressure		Noise
PART NO.	FUNCTION	VDC	VDC	Amp	Watt	R.P.M.	$\text{M}^3/\text{MIN}$	CFM	$\text{mm H}_2\text{O}$	$\text{IN H}_2\text{O}$	dB-A
BTF17251L12B	-R00/-F00/-PWM	12	8.0 TO 14.0	0.79	9.48	2800	5.950	210.12	11.90	0.469	48.0
BTF17251L24B	-R00/-F00/-PWM	24	12.0 TO 28.0	0.39	9.36						
BTF17251L48B	-R00/-F00/-PWM	48	24.0 TO 60.0	0.19	9.12						
BTF17251M12B	-R00/-F00/-PWM	12	8.0 TO 14.0	0.99	11.88	3050	6.520	230.25	14.50	0.571	50.0
BTF17251M24B	-R00/-F00/-PWM	24	12.0 TO 28.0	0.47	11.28						
BTF17251M48B	-R00/-F00/-PWM	48	24.0 TO 60.0	0.25	12.00						
BTF17251H12B	-R00/-F00/-PWM	12	8.0 TO 14.0	1.35	16.20	3350	7.130	251.79	17.49	0.689	53.0
BTF17251H24B	-R00/-F00/-PWM	24	12.0 TO 28.0	0.56	13.44						
BTF17251H48B	-R00/-F00/-PWM	48	24.0 TO 60.0	0.31	14.88						
BTF17251HH12B	-R00/-F00/-PWM	12	8.0 TO 14.0	1.79	21.48	3700	7.920	279.69	20.30	0.800	55.0
BTF17251HH24B	-R00/-F00/-PWM	24	12.0 TO 28.0	0.77	18.48						
BTF17251HH48B	-R00/-F00/-PWM	48	24.0 TO 60.0	0.38	18.24						
BTF17251VH24B	-R00/-F00/-PWM	24	12.0 TO 28.0	0.97	23.28	4000	8.560	302.29	23.80	0.937	57.0
BTF17251VH48B	-R00/-F00/-PWM	48	24.0 TO 60.0	0.49	23.52						
BTF17251SH24B	-R00/-F00/-PWM	24	12.0 TO 28.0	1.17	28.08	4300	9.203	325.00	27.50	1.083	59.0

- ×Function type is optional.
- ×The max. air flow and the speed are measured in free air ; max.air pressure is measured at zero air flow.
- ×Noise is measured in anechoic chamber in free air,one meter from intake side.
- ×All readings are typical values at rated voltage.
- ×Specifications are subject to change without notice.

Address: No.88 Baihua Road,Baihuadong Village ,Dalingshan Town,Dongguan,Guangdong.

Mobile: 13823111573 13926873158

Tel: 86-769-33217056 33217059

FAX: 86-769-82761650

QQ: 343315716 303294997

E-mail: betterfan@163.com bestfan2118@163.com

Web site: WWW.bestfan888.com