

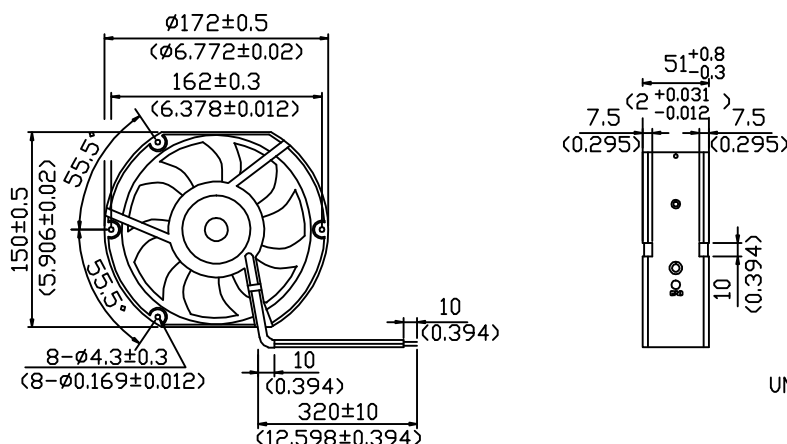


东莞市贝斯特电机有限公司

BEST 172×150×51 MM
DIMENSIONS DRAWING

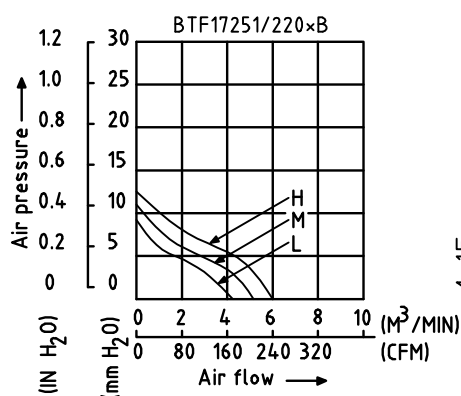


- ×Bearing Type
Ball Bearings
- ×Material
Impeller: Plastic(UL94V-0)
Frame: Die-cast Aluminum
- ×Lead Wires:
UL 1007 AWG#24 OR Equivalent
Red Wire Positive(+)
Black Wire Negative(-)
- ×Weight: 800g(28.22 OZ)

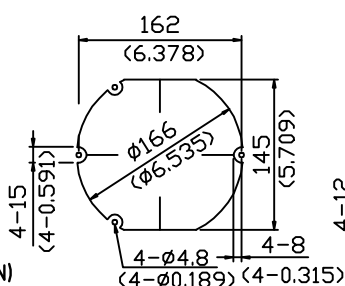


UNIT: $\frac{\text{mm}}{\text{(INCH)}}$

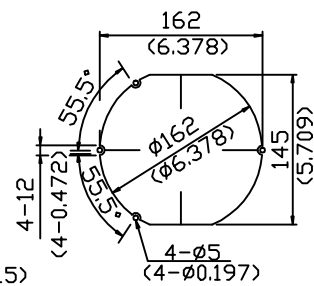
P&Q CURVE (AT RATED VOLTAGE) MOUNTING PANEL CUTOUT



OUTLET SIDE



INLET SIDE



UNIT: $\frac{\text{mm}}{\text{(INCH)}}$

MODEL	Rated Voltage	Operating Voltage Range	Rated Input Power	Frequency	Speed	Maximum Air Flow		Maximum Air Pressure		Noise
						M ³ /MIN	CFM	mmH ₂ O	IN H ₂ O	
PART NO.	VAC	VAC	Watt	Hz	R.P.M.	M ³ /MIN	CFM	mmH ₂ O	IN H ₂ O	dB-A
BTF17251L220B	220	180 TO 260	8.4	50/60	1800	4.50	160.0	9.11	0.359	38
BTF17251M220B	220	180 TO 260	12.9	50/60	2100	5.25	186.7	10.6	0.418	44
BTF17251H220B	220	180 TO 260	18.6	50/60	2400	6.00	213.3	12.1	0.477	51

- ×Function type is optional.
- ×The max. air flow and the speed are measured in free air ; max.air pressure is measured at zero air flow.
- ×Noise is measured in anechoic chamber in free air,one meter from intake side.
- ×All readings are typical values at rated voltage.
- ×Specifications are subject to change without notice.

Address: No.88 Baihua Road,Baihuadong Village ,Dalingshan Town,Dongguan,Guangdong.

Mobile: 13823111573 13926873158

Tel: 86-769-33217056 33217059

FAX: 86-769-82761650

QQ: 343315716 303294997

E-mail: betterfan@163.com bestfan2118@163.com

Web site: WWW.bestfan888.com