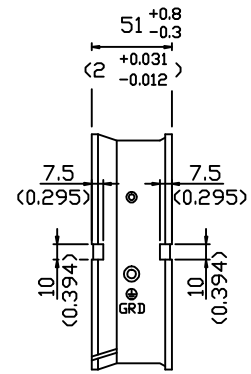
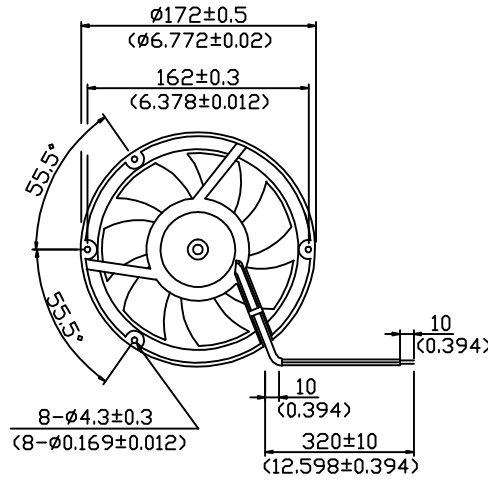




BEST  $\Phi 172 \times 51 \text{MM}$

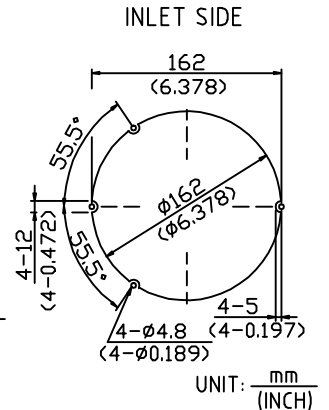
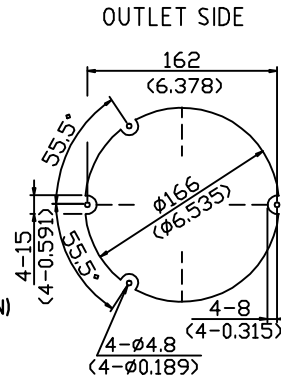
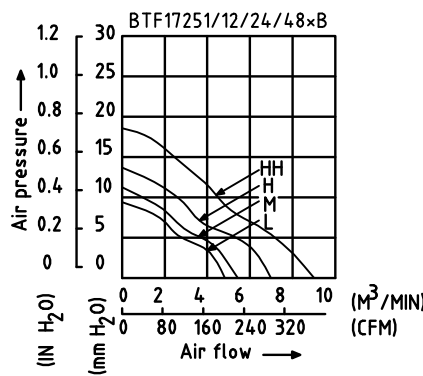
DIMENSIONS DRAWING



UNIT:  $\frac{\text{mm}}{\text{(INCH)}}$

- × Bearing Type  
Ball Bearings
- × Material  
Impeller: Plastic (UL94V-0)  
Frame: Die-Cast Aluminum
- × Lead Wires:  
UL 1007 AWG#24 OR Equivalent  
Red Wire Positive(+)  
Black Wire Negative(-)
- × Weight: 800g(29.62 OZ)

P&Q CURVE (AT RATED VOLTAGE) MOUNTING PANEL CUTOUT



MODEL		Rated Voltage	Operating Voltage Range	Rated Current	Rated Input Power	Speed	Maximum Air Flow		Maximum Air Pressure		Noise
PART NO.	FUNCTION	VDC	VDC	Amp	Watt	R.P.M.	M <sup>3</sup> /MIN	CFM	mmH <sub>2</sub> O	IN H <sub>2</sub> O	dB-A
BTF17251L12B	-R00/-F00/-PWM	12	8.0 TO 14.0	0.79	9.48	1800	4.50	160.00	9.11	0.359	38
BTF17251L24B	-R00/-F00/-PWM	24	12.0 TO 28.0	0.39	9.36						
BTF17251L48B	-R00/-F00/-PWM	48	24.0 TO 60.0	0.19	9.12						
BTF17251M12B	-R00/-F00/-PWM	12	8.0 TO 14.0	1.35	16.20	2200	5.50	194.20	11.13	0.438	41
BTF17251M24B	-R00/-F00/-PWM	24	12.0 TO 28.0	0.56	13.44						
BTF17251M48B	-R00/-F00/-PWM	48	24.0 TO 60.0	0.31	14.88						
BTF17251H24B	-R00/-F00/-PWM	24	12.0 TO 28.0	0.97	23.28	2750	6.875	242.76	13.8	0.544	45
BTF17251H48B	-R00/-F00/-PWM	48	24.0 TO 60.0	0.49	23.52						
BTF17251HH24B	-R00/-F00/-PWM	24	12.0 TO 28.0	2.30	55.20						

- × Function type is optional.
- × The max. air flow and the speed are measured in free air ; max.air pressure is measured at zero air flow.
- × Noise is measured in anechoic chamber in free air, one meter from intake side.
- × All readings are typical values at rated voltage.
- × Specifications are subject to change without notice.

Address: No.88 Baihua Road,Baihuadong Village ,Dalingshan Town,Dongguan,Guangdong.  
 Mobile: 13823111573 13926873158  
 Tel: 86-769-33217056 33217059  
 FAX: 86-769-82761650  
 QQ: 343315716 303294997  
 E-mail: betterfan@163.com bestfan2118@163.com  
 Web site: WWW.bestfan888.com