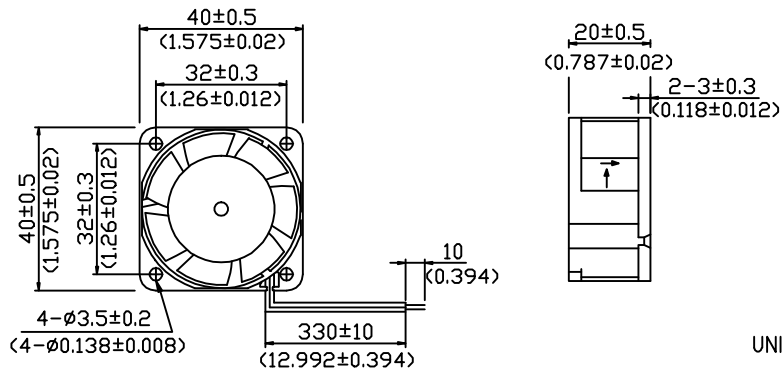




东莞市贝斯特电机有限公司

BEST 40x40x20 MM

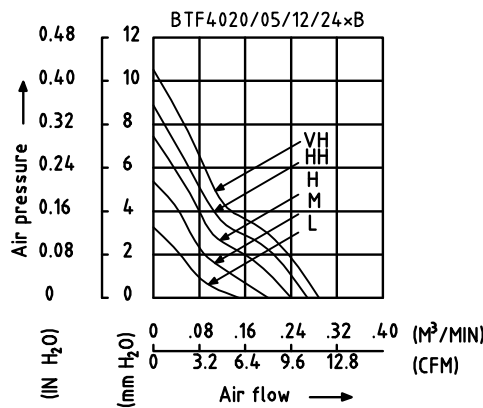
DIMENSIONS DRAWING



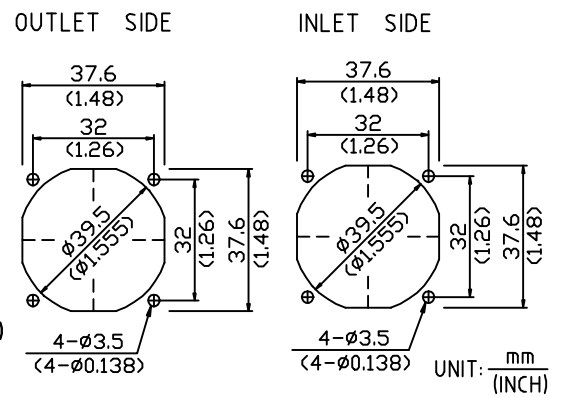
UNIT: $\frac{\text{mm}}{\text{(INCH)}}$

- ×Bearing Type
Ball Bearings
- ×Material
Impeller & Frame: Plastic(UL94V-0)
- ×Lead Wires:
UL 1007 AWG#24 OR Equivalent
Red Wire Positive(+)
Black Wire Negative(-)
- ×Weight: 33g(1.16 OZ)
- ×Rib Type Only

P&Q CURVE (AT RATED VOLTAGE)



MOUNTING PANEL CUTOUT



UNIT: $\frac{\text{mm}}{\text{(INCH)}}$

| MODEL | | Rated Voltage | Operating Voltage Range | Rated Current | Rated Input Power | Speed | Maximum Air Flow | | Maximum Air Pressure | | Noise |
|--------------|-----------|---------------|-------------------------|---------------|-------------------|--------|---------------------|-------|----------------------|---------------------|-------|
| PART NO. | FUNCTION | VDC | VDC | Amp | Watt | R.P.M. | M ³ /MIN | CFM | mmH ₂ O | IN H ₂ O | dB-A |
| BTF4020L05B | -R00/-F00 | 5 | 4.5 TO 5.5 | 0.10 | 0.50 | 5000 | 0.157 | 5.54 | 3.45 | 0.136 | 22.0 |
| BTF4020L12B | -R00/-F00 | 12 | 7.0 TO 13.8 | 0.05 | 0.60 | | | | | | |
| BTF4020L24B | -R00/-F00 | 24 | 14.0 TO 27.6 | 0.04 | 0.96 | | | | | | |
| BTF4020M05B | -R00/-F00 | 5 | 4.5 TO 5.5 | 0.15 | 0.75 | 6300 | 0.203 | 7.17 | 5.54 | 0.218 | 24.0 |
| BTF4020M12B | -R00/-F00 | 12 | 7.0 TO 13.8 | 0.06 | 0.72 | | | | | | |
| BTF4020M24B | -R00/-F00 | 24 | 14.0 TO 27.6 | 0.05 | 1.20 | | | | | | |
| BTF4020H05B | -R00/-F00 | 5 | 4.5 TO 5.5 | 0.25 | 1.25 | 7600 | 0.242 | 8.54 | 7.69 | 0.303 | 28.5 |
| BTF4020H12B | -R00/-F00 | 12 | 7.0 TO 13.8 | 0.08 | 0.96 | | | | | | |
| BTF4020H24B | -R00/-F00 | 24 | 14.0 TO 27.6 | 0.06 | 1.44 | | | | | | |
| BTF4020HH05B | -R00/-F00 | 5 | 4.5 TO 5.5 | 0.30 | 1.50 | 8200 | 0.267 | 9.43 | 9.00 | 0.354 | 30.5 |
| BTF4020HH12B | -R00/-F00 | 12 | 7.0 TO 13.8 | 0.10 | 1.20 | | | | | | |
| BTF4020HH24B | -R00/-F00 | 24 | 14.0 TO 27.6 | 0.07 | 1.68 | | | | | | |
| BTF4020VH05B | -R00/-F00 | 5 | 4.5 TO 5.5 | 0.32 | 1.60 | 9000 | 0.286 | 10.10 | 10.57 | 0.416 | 32.5 |
| BTF4020VH12B | -R00/-F00 | 12 | 7.0 TO 13.8 | 0.12 | 1.44 | | | | | | |
| BTF4020VH24B | -R00/-F00 | 24 | 14.0 TO 27.6 | 0.09 | 2.16 | | | | | | |

- ×Function type is optional.
- ×The max. air flow and the speed are measured in free air ; max.air pressure is measured at zero air flow.
- ×Noise is measured in anechoic chamber in free air,one meter from intake side.
- ×All readings are typical values at rated voltage.
- ×Specifications are subject to change without notice.

Address: No.88 Baihua Road,Baihuadong Village ,Dalingshan Town,Dongguan,Guangdong.
 Mobile: 13823111573 13926873158
 Tel: 86-769-33217056 33217059
 FAX: 86-769-82761650
 QQ: 343315716 303294997
 E-mail: betterfan@163.com bestfan2118@163.com
 Web site: WWW.bestfan888.com