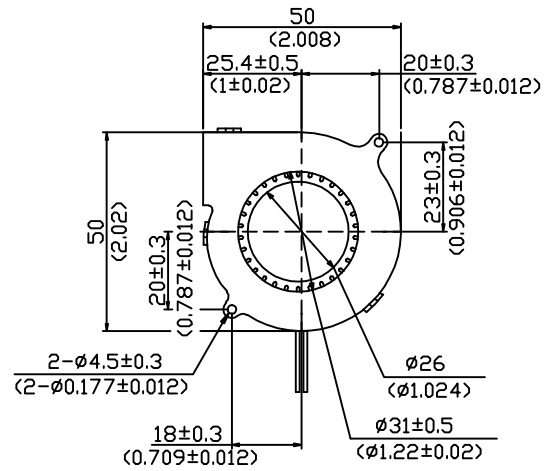
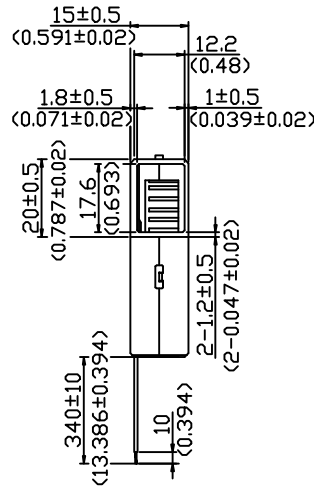
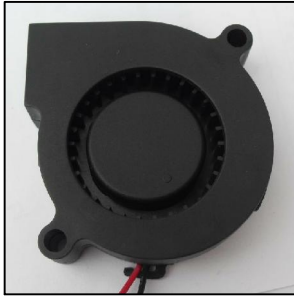




东莞市贝斯特电机有限公司

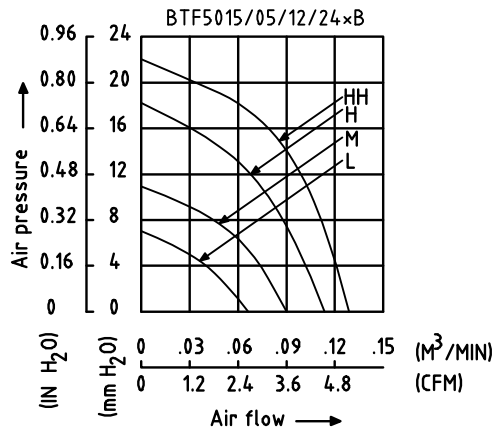
BEST 50×50×15 MM
DIMENSIONS DRAWING



- ×Bearing Type
Ball Bearings
- ×Material
Impeller & Frame: Plastic (UL94V-0)
- ×Lead Wires:
UL 1061 AWG#26 OR Equivalent
Red Wire Positive(+)
Black Wire Negative(-)
- ×Weight: 28g (0.99 OZ)

P&Q CURVE (AT RATED VOLTAGE)

UNIT: $\frac{\text{mm}}{\text{INCH}}$



MODEL		Rated Voltage	Operating Voltage Range	Rated Current	Rated Input Power	Speed	Maximum Air Flow		Maximum Air Pressure		Noise
PART NO.	FUNCTION	VDC	VDC	Amp	Watt	R.P.M.	M ³ /MIN	CFM	mmH ₂ O	IN H ₂ O	dB-A
BTF5015L05B	-R00/-F00	5	4.5 TO 5.5	0.14	0.70	3500	0.070	2.47	7.00	0.276	26.5
BTF5015L12B	-R00/-F00	12	10.0 TO 13.8	0.07	0.84						
BTF5015L24B	-R00/-F00	24	14.0 TO 27.6	0.05	1.20						
BTF5015M05B	-R00/-F00	5	4.5 TO 5.5	0.33	1.65	4500	0.090	3.18	11.00	0.433	32.5
BTF5015M12B	-R00/-F00	12	10.0 TO 13.8	0.10	1.20						
BTF5015M24B	-R00/-F00	24	14.0 TO 27.6	0.07	1.68	5500	0.110	3.88	18.00	0.709	38.0
BTF5015H12B	-R00/-F00	12	10.0 TO 13.8	0.16	1.92						
BTF5015H24B	-R00/-F00	24	14.0 TO 27.6	0.09	2.16	6500	0.130	4.59	22.00	0.866	45.0
BTF5015HH12B	-R00/-F00	12	10.0 TO 13.8	0.21	2.52						
BTF5015HH24B	-R00/-F00	24	14.0 TO 27.6	0.11	2.64						

- ×Function type is optional.
- ×The max. air flow and the speed are measured in free air ; max.air pressure is measured at zero air flow.
- ×Noise is measured in anechoic chamber in free air, one meter from intake side.
- ×All readings are typical values at rated voltage.
- ×Specifications are subject to change without notice.

Address: No.88 Baihua Road, Baihuadong Village, Dalingshan Town, Dongguan, Guangdong.
 Mobile: 13823111573 13926873158
 Tel: 86-769-33217056 33217059
 FAX: 86-769-82761650
 QQ: 343315716 303294997
 E-mail: betterfan@163.com bestfan2118@163.com
 Web site: WWW.bestfan888.com