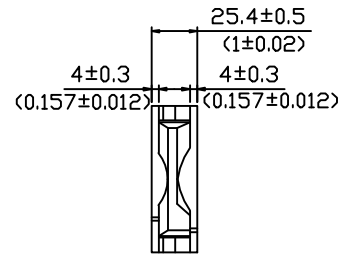
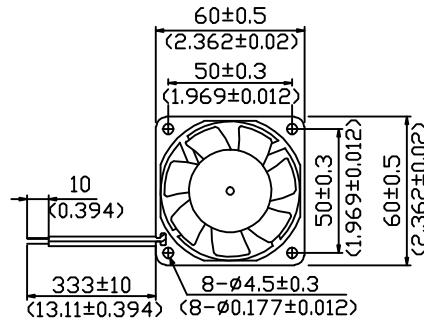




东莞市贝斯特电机有限公司

BEST 60×60×25 MM

DIMENSIONS DRAWING



UNIT: mm
(INCH)

×Bearing Type
Ball Bearings

×Material

Impeller & Frame: Plastic (UL94V-0)

×Lead Wires:

UL 1007 AWG#24 OR Equivalent

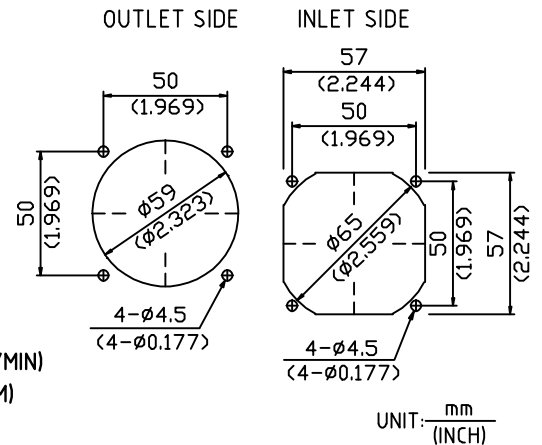
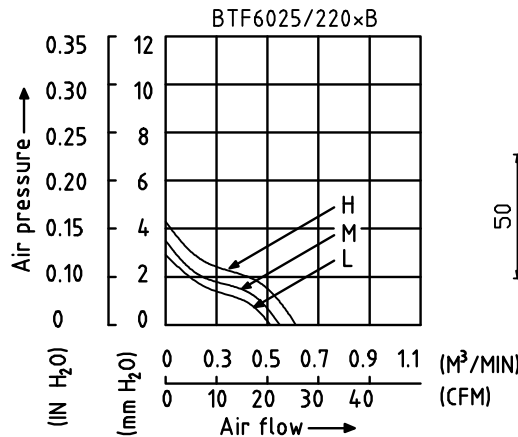
Red Wire Positive(+)

Black Wire Negative(-)

×Weight: 80g (2.82 OZ)

P&Q CURVE (AT RATED VOLTAGE)

MOUNTING PANEL CUTOUT



MODEL	Rated Voltage	Operating Voltage Range	Rated Input Power	Frequency	Speed	Maximum Air Flow		Maximum Air Pressure		Noise
PART NO.	VAC	VAC	Watt	Hz	R.P.M.	M ³ /MIN	CFM	mmH ₂ O	IN H ₂ O	dB-A
BTF6025L220B	220	180 TO 260	1.90	50/60	3300	0.507	17.90	3.05	0.121	28.2
BTF6025M220B	220	180 TO 260	3.30	50/60	3900	0.599	21.15	3.60	0.142	33.3
BTF6025H220B	220	180 TO 260	5.10	50/60	4500	0.691	24.40	4.15	0.164	38.5

×Function type is optional.

×The max. air flow and the speed are measured in free air ; max.air pressure is measured at zero air flow.

×Noise is measured in anechoic chamber in free air,one meter from intake side.

×All readings are typical values at rated voltage.

×Specifications are subject to change without notice.

Address: No.88 Baihua Road,Baihuadong Village ,Dalingshan Town,Dongguan,Guangdong.

Mobile: 13823111573 13926873158

Tel: 86-769-33217056 33217059

FAX: 86-769-82761650

QQ: 343315716 303294997

E-mail: betterfan@163.com bestfan2118@163.com

Web site: WWW.bestfan888.com