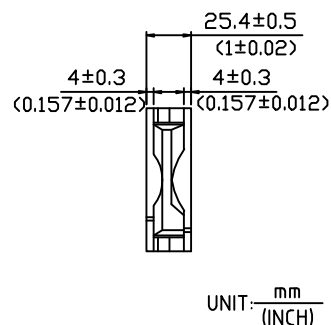
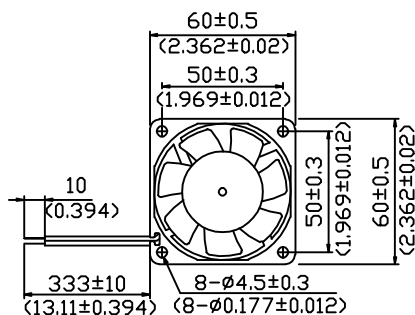


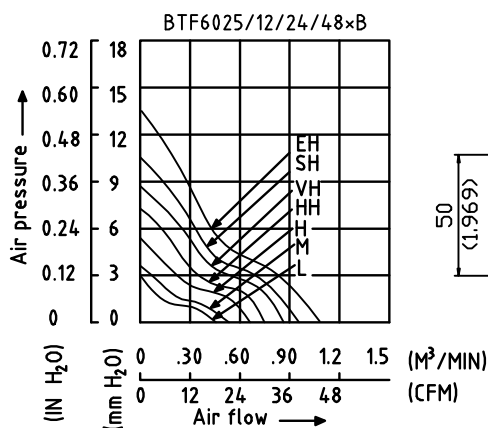


BEST 60x60x25 MM
DIMENSIONS DRAWING

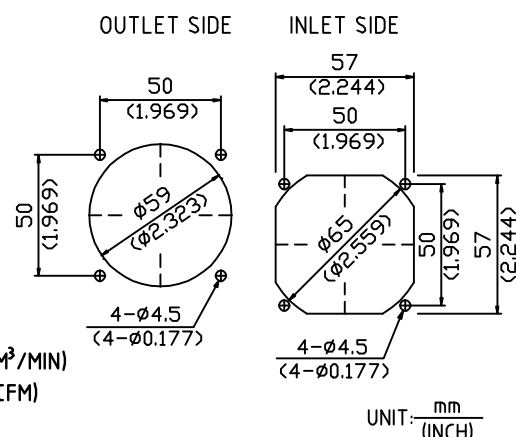


- ×Bearing Type
Ball Bearings
- ×Material
Impeller & Frame: Plastic(UL94V-0)
- ×Lead Wires:
UL 1007 AWG#24 OR Equivalent
Red Wire Positive(+)
Black Wire Negative(-)
- ×Weight: 80g(2.82 OZ)

P&Q CURVE (AT RATED VOLTAGE)



MOUNTING PANEL CUTOUT



| MODEL | | | Rated Voltage | Operating Voltage Range | Rated Current | Rated Input Power | Speed | Maximum Air Flow | | Maximum Air Pressure | | Noise |
|--------------|------|-----------|---------------|-------------------------|---------------|-------------------|--------|---------------------|-------|----------------------|---------------------|-------|
| PART NO. | REV. | FUNCTION | VDC | VDC | Amp | Watt | R.P.M. | M ³ /MIN | CFM | mmH ₂ O | IN H ₂ O | dB-A |
| BTF6025L12B | -A | -R00/-F00 | 12 | 4.0 TO 13.8 | 0.08 | 0.96 | 3100 | 0.476 | 16.81 | 2.86 | 0.113 | 26.5 |
| BTF6025L24B | -A | -R00/-F00 | 24 | 14.0 TO 27.6 | 0.06 | 1.44 | | | | | | |
| BTF6025M12B | -A | -R00/-F00 | 12 | 4.0 TO 13.8 | 0.13 | 1.56 | 3600 | 0.560 | 19.78 | 3.93 | 0.155 | 31.0 |
| BTF6025M24B | -A | -R00/-F00 | 24 | 14.0 TO 27.6 | 0.07 | 1.68 | | | | | | |
| BTF6025H12B | -A | -R00/-F00 | 12 | 4.0 TO 13.8 | 0.14 | 1.68 | 4250 | 0.662 | 23.38 | 5.35 | 0.211 | 34.0 |
| BTF6025H24B | -A | -R00/-F00 | 24 | 14.0 TO 27.6 | 0.09 | 2.16 | | | | | | |
| BTF6025HH12B | -A | -R00/-F00 | 12 | 4.0 TO 13.8 | 0.17 | 2.04 | 5000 | 0.780 | 27.55 | 7.47 | 0.294 | 40.0 |
| BTF6025HH24B | -A | -R00/-F00 | 24 | 14.0 TO 27.6 | 0.11 | 2.64 | | | | | | |
| BTF6025HH48B | -A | -R00/-F00 | 48 | 28.0 TO 56.0 | 0.08 | 3.84 | 5500 | 0.863 | 30.48 | 8.76 | 0.345 | 42.5 |
| BTF6025VH12B | -A | -R00/-F00 | 12 | 4.0 TO 13.8 | 0.23 | 2.76 | | | | | | |
| BTF6025VH24B | -A | -R00/-F00 | 24 | 14.0 TO 27.6 | 0.14 | 3.36 | 6000 | 0.967 | 34.15 | 10.73 | 0.422 | 44.5 |
| BTF6025VH48B | -A | -R00/-F00 | 48 | 28.0 TO 56.0 | 0.09 | 4.32 | | | | | | |
| BTF6025SH12B | -A | -R00/-F00 | 12 | 4.0 TO 13.8 | 0.27 | 3.24 | 6800 | 1.086 | 38.35 | 13.81 | 0.544 | 46.5 |
| BTF6025SH24B | -A | -R00/-F00 | 24 | 14.0 TO 27.6 | 0.17 | 4.08 | | | | | | |
| BTF6025SH48B | -A | -R00/-F00 | 48 | 28.0 TO 56.0 | 0.11 | 5.28 | | | | | | |
| BTF6025EH12B | -A | -R00/-F00 | 12 | 4.0 TO 13.8 | 0.38 | 4.56 | | | | | | |
| BTF6025EH24B | -A | -R00/-F00 | 24 | 14.0 TO 27.6 | 0.24 | 5.76 | | | | | | |
| BTF6025EH48B | -A | -R00/-F00 | 48 | 28.0 TO 56.0 | 0.14 | 6.72 | | | | | | |

- ×Function type is optional.
- ×The max. air flow and the speed are measured in free air ; max.air pressure is measured at zero air flow.
- ×Noise is measured in anechoic chamber in free air,one meter from intake side.
- ×All readings are typical values at rated voltage.
- ×Specifications are subject to change without notice.

Address: No.88 Baihua Road,Baihuadong Village ,Dalingshan Town,Dongguan,Guangdong.
 Mobile: 13823111573 13926873158
 Tel: 86-769-33217056 33217059
 FAX: 86-769-82761650
 QQ: 343315716 303294997
 E-mail: betterfan@163.com bestfan2118@163.com
 Web site: WWW.bestfan888.com