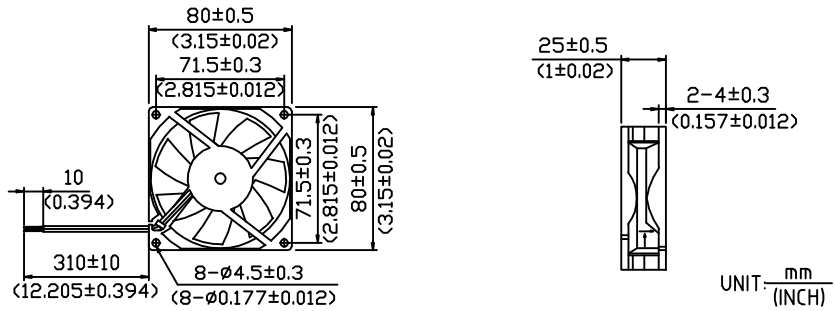




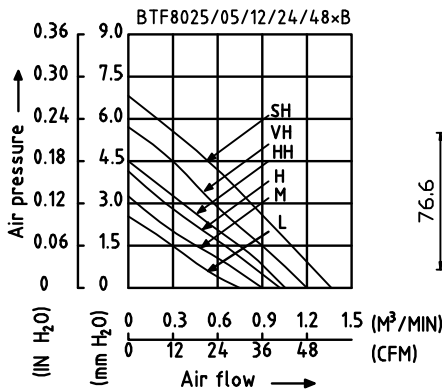
BEST 80×80×25 MM

DIMENSIONS DRAWING

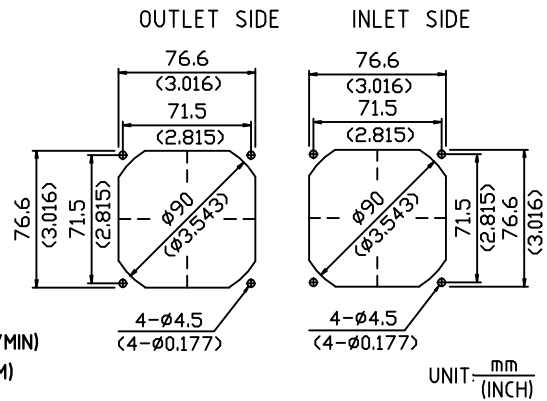


- ×Bearing Type
Ball Bearings
- ×Material
Impeller & Frame: Plastic(UL94V-0)
- ×Lead Wires:
UL 1007 AWG#24 OR Equivalent
Red Wire Positive(+)
Black Wire Negative(-)
- ×Weight: 80g(2.82 OZ)

P&Q CURVE (AT RATED VOLTAGE)



MOUNTING PANEL CUTOUT



MODEL		Rated Voltage	Operating Voltage Range	Rated Current	Rated Input Power	Speed	Maximum Air Flow		Maximum Air Pressure		Noise
PART NO.	FUNCTION	VDC	VDC	Amp	Watt	R.P.M.	M ³ /MIN	CFM	mmH ₂ O	IN H ₂ O	dB-A
BTF8025L05B	/-F00	5	4.5 TO 5.5	0.24	1.20	2400	0.790	27.90	2.59	0.102	25.0
BTF8025L12B	-R00/-F00	12	7.0 TO 13.8	0.09	1.08						
BTF8025L24B	-R00/-F00	24	14.0 TO 27.6	0.05	1.20						
BTF8025L48B	-R00/-F00	48	28.0 TO 56.0	0.05	2.40						
BTF8025M05B	/-F00	5	4.5 TO 5.5	0.33	1.65	2700	0.890	31.43	3.28	0.129	28.0
BTF8025M12B	-R00/-F00	12	7.0 TO 13.8	0.12	1.44						
BTF8025M24B	-R00/-F00	24	14.0 TO 27.6	0.06	1.44						
BTF8025M48B	-R00/-F00	48	28.0 TO 56.0	0.06	2.88						
BTF8025H05B	/-F00	5	4.5 TO 5.5	0.43	2.15	3000	1.000	35.31	4.04	0.159	31.0
BTF8025H12B	-R00/-F00	12	7.0 TO 13.8	0.16	1.92						
BTF8025H24B	-R00/-F00	24	14.0 TO 27.6	0.07	1.68						
BTF8025H48B	-R00/-F00	48	28.0 TO 56.0	0.07	3.36						
BTF8025HH12B	-R00/-F00	12	7.0 TO 13.8	0.20	2.40	3250	1.060	37.43	4.59	0.181	34.0
BTF8025HH24B	-R00/-F00	24	14.0 TO 27.6	0.09	2.16						
BTF8025HH48B	-R00/-F00	48	28.0 TO 56.0	0.08	3.84						
BTF8025VH12B	-R00/-F00	12	7.0 TO 13.8	0.26	3.12	3600	1.190	42.02	5.51	0.217	38.0
BTF8025VH24B	-R00/-F00	24	14.0 TO 27.6	0.14	3.36						
BTF8025SH12B	-R00/-F00	12	7.0 TO 13.8	0.34	4.08	4000	1.320	46.62	6.78	0.267	40.0
BTF8025SH24B	-R00/-F00	24	14.0 TO 26.0	0.16	3.84						

- ×Function type is optional.
- ×The max. air flow and the speed are measured in free air ; max.air pressure is measured at zero air flow.
- ×Noise is measured in anechoic chamber in free air,one meter from intake side.
- ×All readings are typical values at rated voltage.
- ×Specifications are subject to change without notice.

Address: No.88 Baihua Road,Baihuadong Village ,Dalingshan Town,Dongguan,Guangdong.

Mobile: 13823111573 13926873158

Tel: 86-769-33217056 33217059

FAX: 86-769-82761650

QQ: 343315716 303294997

E-mail: betterfan@163.com bestfan2118@163.com

Web site: WWW.bestfan888.com