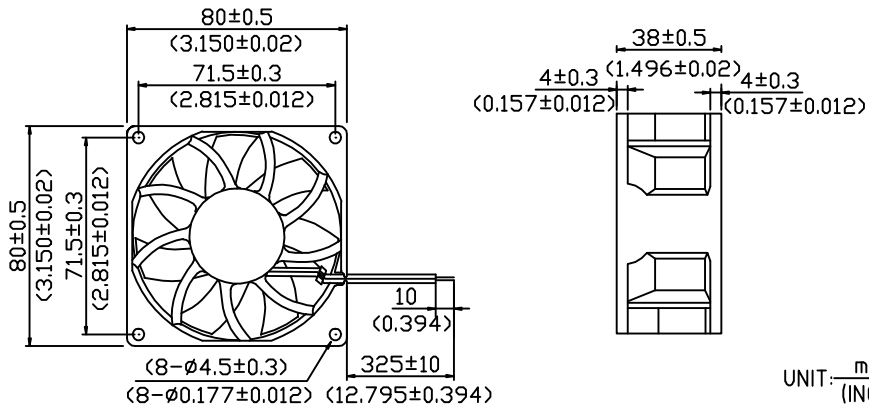




东莞市贝斯特电机有限公司

BEST 80×80×38 MM

DIMENSIONS DRAWING

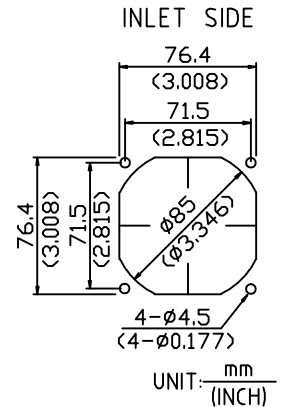
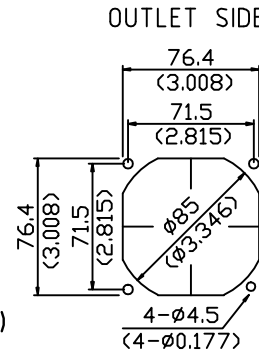
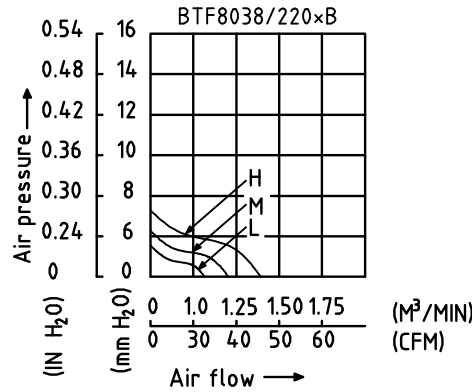


UNIT: mm (INCH)

- ×Bearing Type  
Ball Bearings
- ×Material  
Impeller & Frame: Plastic (UL94V-0)
- ×Lead Wires:  
UL 1007 AWG#24 OR Equivalent  
Red Wire Positive(+)  
Black Wire Negative(-)
- ×Weight: 170g (6.00 OZ)

P&Q CURVE (AT RATED VOLTAGE )

MOUNTING PANEL CUTOUT



MODEL	Rated Voltage	Operating Voltage Range	Rated Input Power	Frequency	Speed	Maximum Air Flow		Maximum Air Pressure		Noise
						M <sup>3</sup> /MIN	CFM	mmH <sub>2</sub> O	IN H <sub>2</sub> O	
PART NO.	VAC	VAC	Watt	Hz	R.P.M.	M <sup>3</sup> /MIN	CFM	mmH <sub>2</sub> O	IN H <sub>2</sub> O	dB-A
BTFA8038L220B	220	180 TO 260	2.90	50/60	2500	0.941	33.24	5.24	0.207	28.7
BTFA8038M220B	220	180 TO 260	4.10	50/60	3000	1.129	39.88	6.29	0.248	34.4
BTFA8038H220B	220	180 TO 260	6.40	50/60	3500	1.318	46.53	7.34	0.289	40.1

- ×Function type is optional.
- ×The max. air flow and the speed are measured in free air ; max.air pressure is measured at zero air flow.
- ×Noise is measured in anechoic chamber in free air, one meter from intake side.
- ×All readings are typical values at rated voltage.
- ×Specifications are subject to change without notice.

Address: No.88 Baihua Road, Baihuadong Village, Dalingshan Town, Dongguan, Guangdong.

Mobile: 13823111573 13926873158

Tel: 86-769-33217056 33217059

FAX: 86-769-82761650

QQ: 343315716 303294997

E-mail: betterfan@163.com bestfan2118@163.com

Web site: WWW.bestfan888.com