



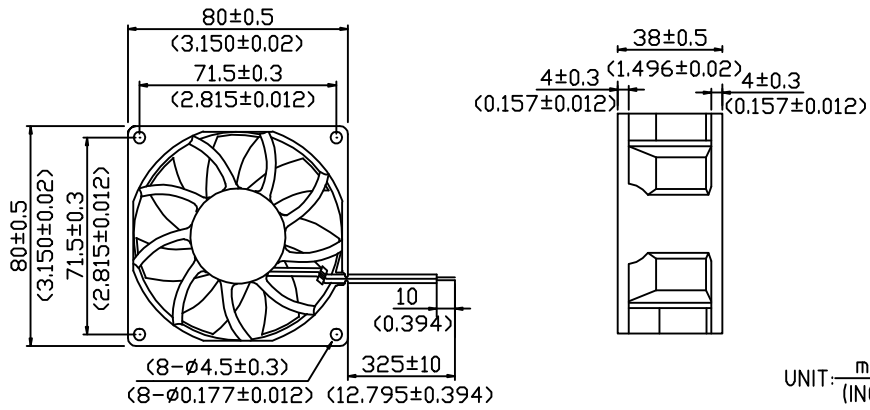
东莞市贝斯特电机有限公司

BEST 80×80×38 MM

DIMENSIONS DRAWING



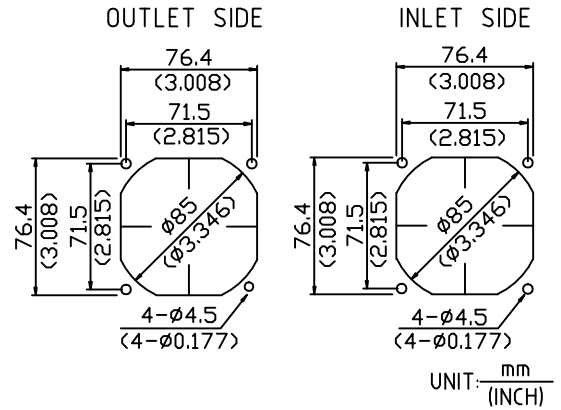
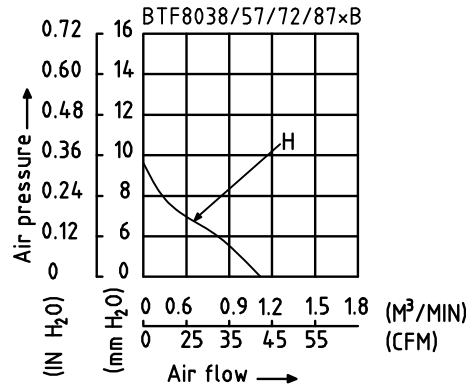
- ×Bearing Type  
Ball Bearings
- ×Material  
Impeller & Frame: Plastic(UL94V-0)
- ×Lead Wires:  
UL 1007 AWG#24 OR Equivalent  
Red Wire Positive(+)  
Black Wire Negative(-)
- ×Weight: 170g(6.00 OZ)



UNIT: mm  
(INCH)

P&Q CURVE (AT RATED VOLTAGE )

MOUNTING PANEL CUTOUT



UNIT: mm  
(INCH)

MODEL		Rated Voltage	Operating Voltage Range	Rated Input Power	Speed	Maximum Air Flow		Maximum Air Pressure		Noise
PART NO.	FUNCTION	VDC	VDC	Watt	R.P.M.	M <sup>3</sup> /MIN	CFM	mmH <sub>2</sub> O	IN H <sub>2</sub> O	dB-A
BTF8038H57B	-R00/-F00	57	45.6 TO 68.4	0.90	2200	0.871	30.76	6.74	0.265	21.8
BTF8038H72B	-R00/-F00	72	57.6 TO 86.4	1.50	2600	1.029	36.35	7.96	0.314	25.7
BTF8038H87B	-R00/-F00	87	69.6 TO 104.4	2.10	3000	1.188	41.95	9.19	0.362	29.7

- ×Function type is optional.
- ×The max. air flow and the speed are measured in free air ; max.air pressure is measured at zero air flow.
- ×Noise is measured in anechoic chamber in free air,one meter from intake side.
- ×All readings are typical values at rated voltage.
- ×Specifications are subject to change without notice.

Address: No.88 Baihua Road,Baihuadong Village ,Dalingshan Town,Dongguan,Guangdong.

Mobile: 13823111573 13926873158

Tel: 86-769-33217056 33217059

FAX: 86-769-82761650

QQ: 343315716 303294997

E-mail: betterfan@163.com bestfan2118@163.com

Web site: WWW.bestfan888.com