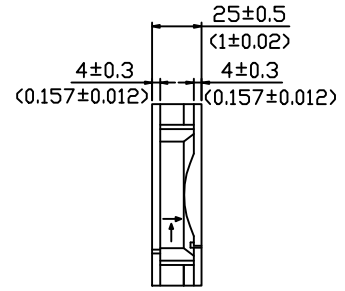
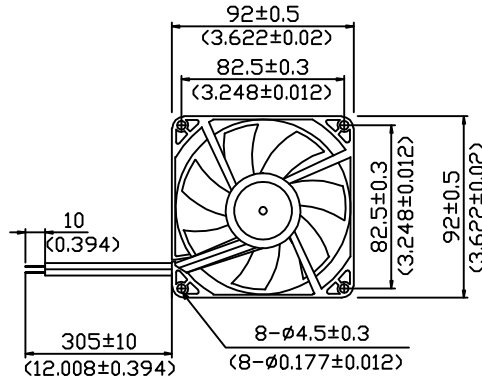




BEST 92×92×25 MM

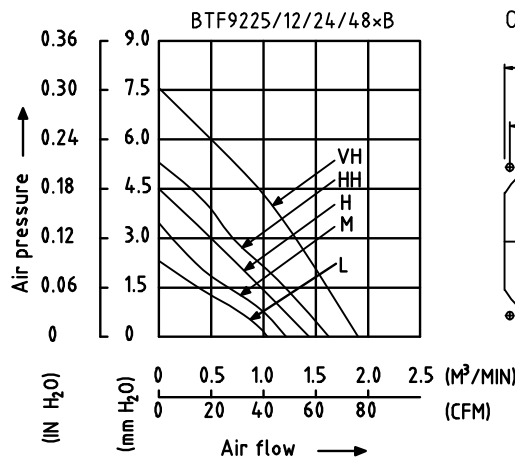
DIMENSIONS DRAWING



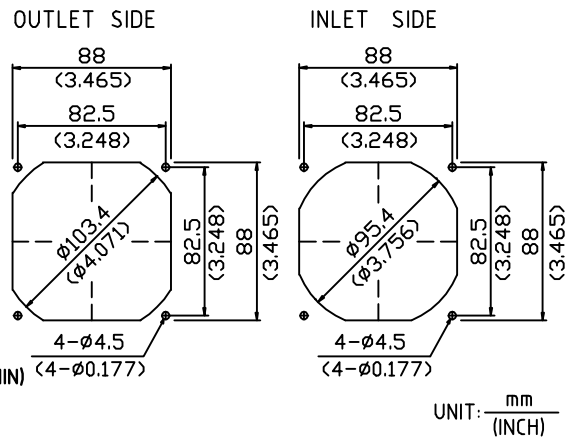
UNIT:  $\frac{\text{mm}}{\text{(INCH)}}$

- ×Bearing Type  
Ball Bearings
- ×Material  
Impeller & Frame: Plastic (UL94V-0)
- ×Lead Wires:  
UL 1007 AWG#24 OR Equivalent  
Red Wire Positive(+)  
Black Wire Negative(-)
- ×Weight: 99g (3.49 OZ)

P&Q CURVE (AT RATED VOLTAGE)



MOUNTING PANEL CUTOUT



UNIT:  $\frac{\text{mm}}{\text{(INCH)}}$

| MODEL        |           | Rated Voltage | Operating Voltage Range | Rated Current | Rated Input Power | Speed  | Maximum Air Flow    |       | Maximum Air Pressure |                     | Noise |
|--------------|-----------|---------------|-------------------------|---------------|-------------------|--------|---------------------|-------|----------------------|---------------------|-------|
| PART NO.     | FUNCTION  | VDC           | VDC                     | Amp           | Watt              | R.P.M. | M <sup>3</sup> /MIN | CFM   | mmH <sub>2</sub> O   | IN H <sub>2</sub> O | dB-A  |
| BTF9225L12B  | -R00/-F00 | 12            | 7.0 TO 13.8             | 0.07          | 0.84              | 2100   | 1.050               | 37.08 | 2.53                 | 0.100               | 25.0  |
| BTF9225L24B  | -R00/-F00 | 24            | 14.0 TO 27.6            | 0.06          | 1.44              |        |                     |       |                      |                     |       |
| BTF9225L48B  | -R00/-F00 | 48            | 28.0 TO 56.0            | 0.05          | 2.40              |        |                     |       |                      |                     |       |
| BTF9225M12B  | -R00/-F00 | 12            | 7.0 TO 13.8             | 0.11          | 1.32              | 2450   | 1.240               | 43.79 | 3.25                 | 0.130               | 30.0  |
| BTF9225M24B  | -R00/-F00 | 24            | 14.0 TO 27.6            | 0.08          | 1.92              |        |                     |       |                      |                     |       |
| BTF9225M48B  | -R00/-F00 | 48            | 28.0 TO 56.0            | 0.05          | 2.40              |        |                     |       |                      |                     |       |
| BTF9225H12B  | -R00/-F00 | 12            | 7.0 TO 13.8             | 0.16          | 1.92              | 2850   | 1.450               | 51.21 | 4.50                 | 0.177               | 34.0  |
| BTF9225H24B  | -R00/-F00 | 24            | 14.0 TO 27.6            | 0.10          | 2.40              |        |                     |       |                      |                     |       |
| BTF9225H48B  | -R00/-F00 | 48            | 28.0 TO 56.0            | 0.06          | 2.88              |        |                     |       |                      |                     |       |
| BTF9225HH12B | -R00/-F00 | 12            | 7.0 TO 13.8             | 0.25          | 3.00              | 3200   | 1.640               | 57.92 | 5.62                 | 0.221               | 38.0  |
| BTF9225HH24B | -R00/-F00 | 24            | 14.0 TO 27.6            | 0.13          | 3.12              |        |                     |       |                      |                     |       |
| BTF9225HH48B | -R00/-F00 | 48            | 28.0 TO 56.0            | 0.08          | 3.84              |        |                     |       |                      |                     |       |
| BTF9225VH12B | -R00/-F00 | 12            | 7.0 TO 13.8             | 0.40          | 4.80              | 3800   | 1.920               | 67.80 | 7.67                 | 0.302               | 45.0  |
| BTF9225VH24B | -R00/-F00 | 24            | 14.0 TO 27.6            | 0.22          | 5.28              |        |                     |       |                      |                     |       |

- ×Function type is optional.
- ×The max. air flow and the speed are measured in free air ; max.air pressure is measured at zero air flow.
- ×Noise is measured in anechoic chamber in free air, one meter from intake side.
- ×All readings are typical values at rated voltage.
- ×Specifications are subject to change without notice.

Address: No.88 Baihua Road, Baihuadong Village, Dalingshan Town, Dongguan, Guangdong.  
 Mobile: 13823111573 13926873158  
 Tel: 86-769-33217056 33217059  
 FAX: 86-769-82761650  
 QQ: 343315716 303294997  
 E-mail: betterfan@163.com bestfan2118@163.com  
 Web site: WWW.bestfan888.com