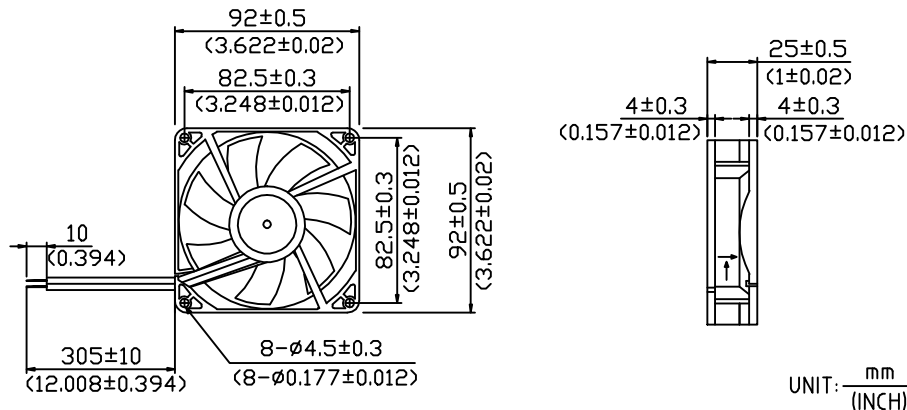




# Dongguan BEST motor co., LTD

BEST 92×92×25 MM

DIMENSIONS DRAWING



×Bearing Type

Ball Bearings

×Material

Impeller & Frame: Plastic (UL94V-0) P&Q CURVE (AT RATED VOLTAGE)

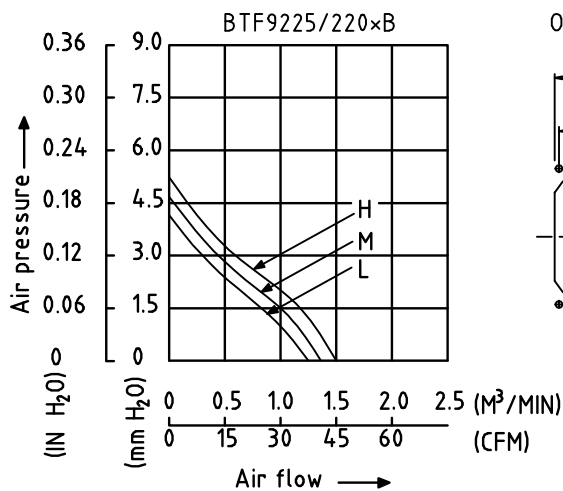
×Lead Wires:

UL 1007 AWG#24 OR Equivalent

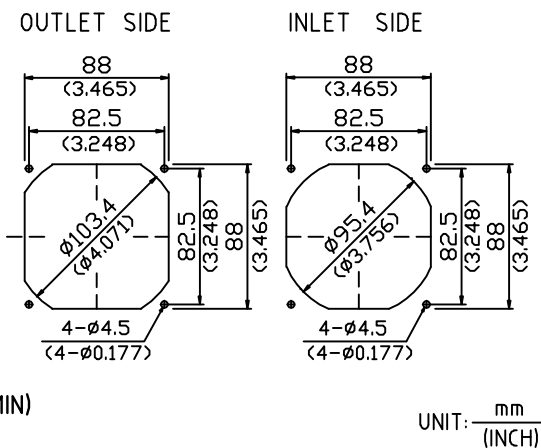
Red Wire Positive(+)

Black Wire Negative(-)

×Weight: 99g (3.49 OZ)



MOUNTING PANEL CUTOUT



MODEL	Rated Voltage	Operating Voltage Range	Rated Input Power	Frequency	Speed	Maximum Air Flow		Maximum Air Pressure		Noise
						M <sup>3</sup> /MIN	CFM	mmH <sub>2</sub> O	IN H <sub>2</sub> O	
PART NO.	VDC	VDC	Watt	Hz	R.P.M.	M <sup>3</sup> /MIN	CFM	mmH <sub>2</sub> O	IN H <sub>2</sub> O	dB-A
BTf9225L220B	220	180 TO 220	2.50	50/60	2200	1.128	39.82	3.864	0.152	26.2
BTf9225M220B	220	180 TO 220	3.70	50/60	2600	1.333	47.06	4.566	0.180	30.9
BTf9225H220B	220	180 TO 220	6.00	50/60	3000	1.538	54.30	5.269	0.207	35.6

×Function type is optional.

×The max. air flow and the speed are measured in free air ; max.air pressure is measured at zero air flow.

×Noise is measured in anechoic chamber in free air, one meter from intake side.

×All readings are typical values at rated voltage.

×Specifications are subject to change without notice.

Address: No.88 Baihua Road, Baihuadong Village, Dalingshan Town, Dongguan, Guangdong.

Mobile: 13823111573 13926873158

Tel: 86-769-33217056 33217059

FAX: 86-769-82761650

QQ: 343315716 303294997

E-mail: betterfan@163.com bestfan2118@163.com

Web site: WWW.bestfan888.com