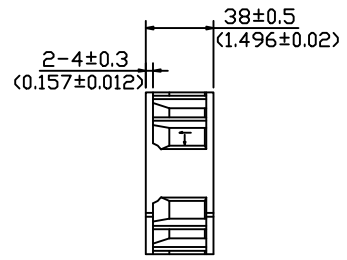
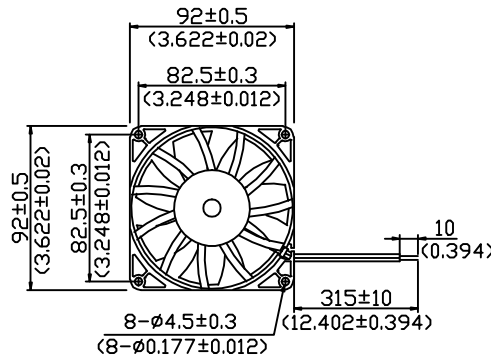




Dongguan BEST motor co., LTD

BEST 92×92×38 MM

DIMENSIONS DRAWING



UNIT: $\frac{\text{mm}}{\text{(INCH)}}$

×Bearing Type
Ball Bearings

×Material

Impeller & Frame: Plastic (UL94V-0)

×Lead Wires:

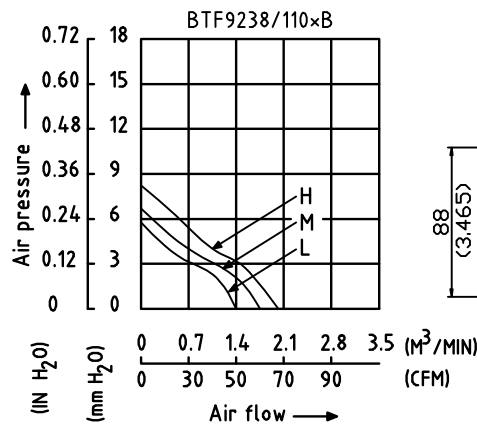
UL 1007 AWG#24 OR Equivalent

Red Wire Positive(+)

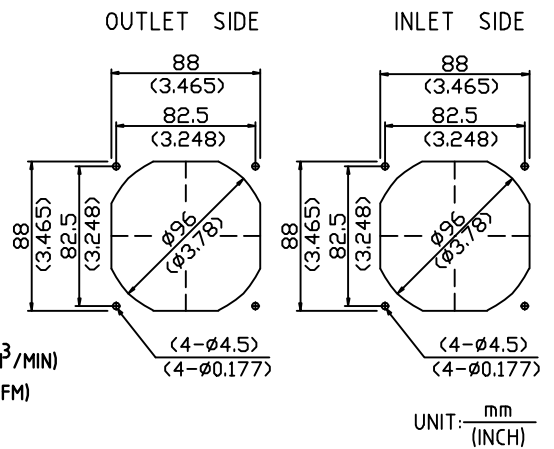
Black Wire Negative(-)

×Weight: 198g (6.98 OZ)

P&Q CURVE (AT RATED VOLTAGE)



MOUNTING PANEL CUTOUT



UNIT: $\frac{\text{mm}}{\text{(INCH)}}$

MODEL	Rated Voltage	Operating Voltage Range	Rated Input Power	Frequency	Speed	Maximum Air Flow		Maximum Air Pressure		Noise
						M ³ /MIN	CFM	mmH ₂ O	IN H ₂ O	
PART NO.	VAC	VAC	Watt	Hz	R.P.M.	M ³ /MIN	CFM	mmH ₂ O	IN H ₂ O	dB-A
BTF9238L110B	110	90 TO 130	1.90	50/60	2200	1.401	49.48	5.96	0.235	27.5
BTF9238M110B	110	90 TO 130	2.70	50/60	2600	1.656	58.47	7.05	0.278	32.5
BTF9238H110B	110	90 TO 130	4.30	50/60	3000	1.911	67.47	8.13	0.320	37.5

×Function type is optional.

×The max. air flow and the speed are measured in free air ; max.air pressure is measured at zero air flow.

×Noise is measured in anechoic chamber in free air, one meter from intake side.

×All readings are typical values at rated voltage.

×Specifications are subject to change without notice.

Address: No.88 Baihua Road, Baihuadong Village, Dalingshan Town, Dongguan, Guangdong.

Mobile: 13823111573 13926873158

Tel: 86-769-33217056 33217059

FAX: 86-769-82761650

QQ: 343315716 303294997

E-mail: betterfan@163.com bestfan2118@163.com

Web site: WWW.bestfan888.com