



BTF40 Series Crossflow Blowers

Brief Introductions:

Wheel: Aluminum Alloy

Housing: Galvanized Sheet or E-Coating

Motor Type: Shaded Pole Motors BTF48 Series(can be others)

Bearing: Ball Bearing or Bronze Sleeve

Power Supply: 100-240VAC As Request

Insulation System: Class E,B,F or H As Request

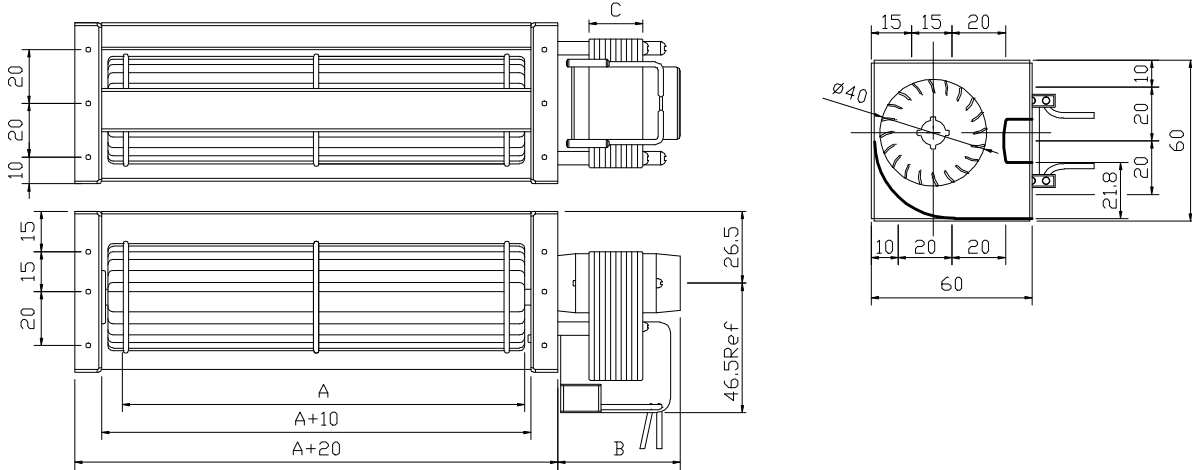
Operating Temperature: -10°C To+50°C

Overheating Protection: T.P. or Z.P.

Electrical Connection: Lead Wire

RoHS Compliance: As Needed

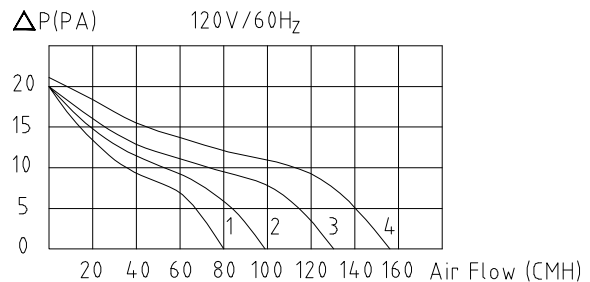
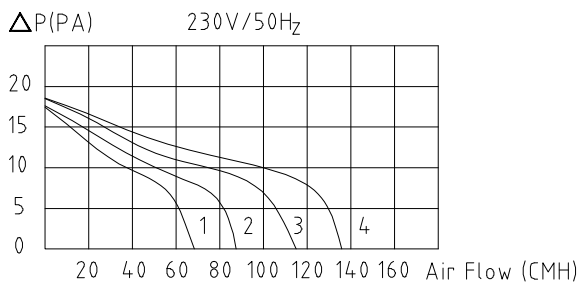
Outline Dimensions (All dimensions in millimeters)



Technical Performances (based on free air condicions)

NO.	Specifications Model	Power Supply		Input Power (Watts)	Output Speed (rpm)	Max.Airflow		Max.Static Pressure		Noise Level dB(A)	Dimensions		
		Volts (VAC)	Freq'y (Hz)			Metric (m ³ /h)	American (CFM)	Metric (PA)	American (in H ₂ O)		A	B	C
1.	BTFA40200-SP4820	230	50	8	2200	70	41	18	0.0724	38	200	40	20
		120	60	9	2500	80	47	20	0.0804	40			
2.	BTFA40250-SP4820	230	50	11	2200	88	52	18	0.0724	38	250	40	20
		120	60	12	2500	100	59	20	0.0804	40			
3.	BTFA40300-SP4825	230	50	13	2200	115	68	19	0.0764	39	300	45	25
		120	60	15	2500	130	77	20	0.0804	41			
4.	BTFA40350-SP4830	230	50	15	2200	135	80	19	0.0764	40	350	50	30
		120	60	17	2500	155	92	21	0.0844	42			

Charecteristics Curve



×Function type is optional.

×The max. air flow and the speed are measured in free air ; max.air pressure is measured at zero air flow.

×Noise is measured in anechoic chamber in free air,one meter from intake side.

×All readings are typical values at rated voltage.

×Specifications are subject to change without notice.

Address: No.88 Baihua Road,Baihuadong Village ,Dalingshan Town,Dongguan,Guangdong.

Mobile: 13823111573 13926873158

Tel: 86-769-33217056 33217059

FAX: 86-769-82761650

QQ: 343315716 303294997

E-mail: betterfan@163.com bestfan2118@163.com

Web site: WWW.bestfan888.com