



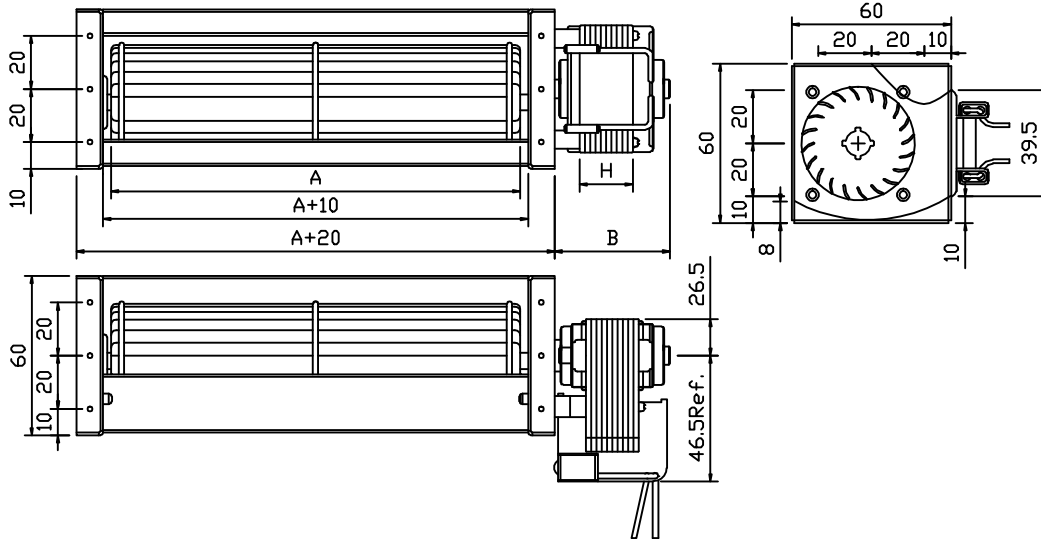
BTF43 Series Crossflow Blowers

Brief Introductions:

Wheel: Aluminum Alloy
 Housing: Galvanized Sheet or E-Coating
 Motor Type: Shaded Pole Motors BTF48 Series (can be others)
 Bearing: Ball Bearing or Bronze Sleeve
 Power Supply: 100-240VAC As Request

Insulation System: Class E,B,F or H As Request
 Operating Temperature: -10°C To+50°C
 Overheating Protection: T.P. or Z.P.
 Electrical Connection: Flat-pin Terminal or Lead Wire
 RoHS Compliance: As Needed

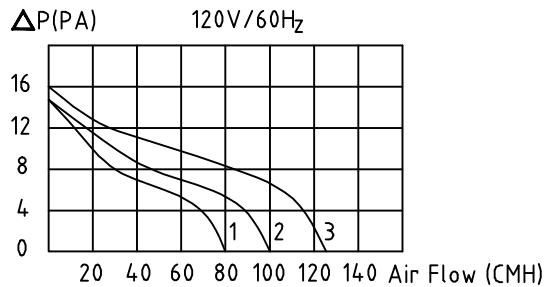
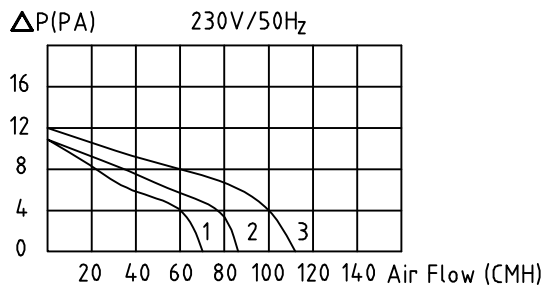
Outline Dimensions (All dimensions in millimeters)



Technical Performances (based on free air condicions)

NO.	Specifications Model	Power Supply		Input Power (Watts)	Output Speed (rpm)	Max.Airflow		Max.Static Pressure		Noise Level dB(A)	Dimensions		
		Volts (VAC)	Freq'y (Hz)			Metric (m ³ /h)	American (CFM)	Metric (PA)	American (in H ₂ O)		A (mm)	B (mm)	H (mm)
1.	BTFA43200-SP4815	230	50	10	2000	70	41	11	0.0442	41	200	42	15
		120	60	12	2300	80	47	15	0.0603				
2.	BTFA43250-SP4820	230	50	15	2000	87	51	11	0.0442	41	250	47	20
		120	60	16	2300	100	60	15	0.0603				
3.	BTFA43300-SP4820	230	50	20	2000	110	65	12	0.0483	42	300	47	20
		120	60	22	2300	125	74	16	0.0643				

Charecteristics Curve



- ×Function type is optional.
- ×The max. air flow and the speed are measured in free air ; max.air pressure is measured at zero air flow.
- ×Noise is measured in anechoic chamber in free air,one meter from intake side.
- ×All readings are typical values at rated voltage.
- ×Specifications are subject to change without notice.

Address: No.88 Baihua Road,Baihuadong Village ,Dalingshan Town,Dongguan,Guangdong.
 Mobile: 13823111573 13926873158
 Tel: 86-769-33217056 33217059
 FAX: 86-769-82761650
 QQ: 343315716 303294997
 E-mail: betterfan@163.com bestfan2118@163.com
 Web site: WWW.bestfan888.com