



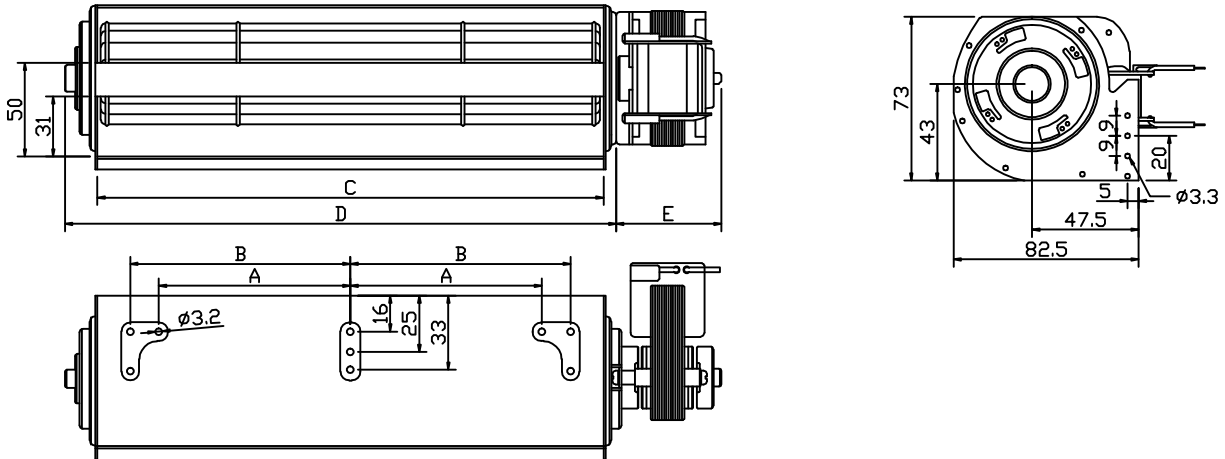
BTF45 Series Crossflow Blowers

Brief Introductions:

Wheel: Aluminum Alloy
 Housing: Galvanized Sheet or E-Coating
 Motor Type: Shaded Pole Motors BTF48 Series(can be others)
 Bearing: Ball Bearing or Bronze Sleeve
 Power Supply: 100-240VAC As Request

Insulation System: Class E,B,F or H As Request
 Operating Temperature: -10°C To+50°C
 Overheating Protection: T.P. or Z.P.
 Electrical Connection: Flat-pin Terminal or Lead Wire
 RoHS Compliance: As Needed

Outline Dimensions (All dimensions in millimeters)

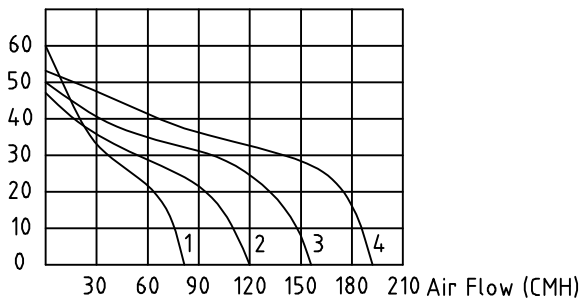


Technical Performances (based on free air condicions)

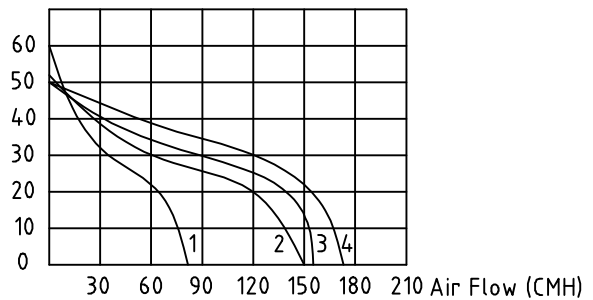
NO.	Specifications Model	Power Supply		Input Power	Output Speed	Max.Airflow		Max.Static Pressure		Noise Level	Dimensions				
		Volts	Freq'y			Metric	American	Metric	American		A	B	C	D	E
		(VAC)	(Hz)	(Watts)	(rpm)	(m ³ /h)	(CFM)	(PA)	(in H ₂ O)	(mm)					
1.	BTFA45120-SP6310	230	50	17	2100	80	47	60	0.2412	46	39	47	121	148	42
		120	60	16	2100	80	47	60	0.2412						
2.	BTFA45180-SP6315	230	50	21	1400	120	71	47	0.1889	40	69	77	188	215	47
		120	60	25	1800	150	88	53	0.2131						
3.	BTFA45240-SP6320	230	50	23	1600	155	92	50	0.2010	42	98	106	242	269	52
		120	60	22	1600	155	92	50	0.2010						
4.	BTFA45300-SP6325	230	50	28	1800	190	112	53	0.2131	45	128	136	303	330	57
		120	60	25	1600	170	100	50	0.2010						

Charecteristics Curve

ΔP(PA) 230V/50Hz



ΔP(PA) 120V/60Hz



- ×Function type is optional.
- ×The max. air flow and the speed are measured in free air ; max.air pressure is measured at zero air flow.
- ×Noise is measured in anechoic chamber in free air,one meter from intake side.
- ×All readings are typical values at rated voltage.
- ×Specifications are subject to change without notice.

Address: No.88 Baihua Road,Baihuadong Village ,Dalingshan Town,Dongguan,Guangdong.
 Mobile: 13823111573 13926873158
 Tel: 86-769-33217056 33217059
 FAX: 86-769-82761650
 QQ: 343315716 303294997
 E-mail: betterfan@163.com bestfan2118@163.com
 Web site: WWW.bestfan888.com