



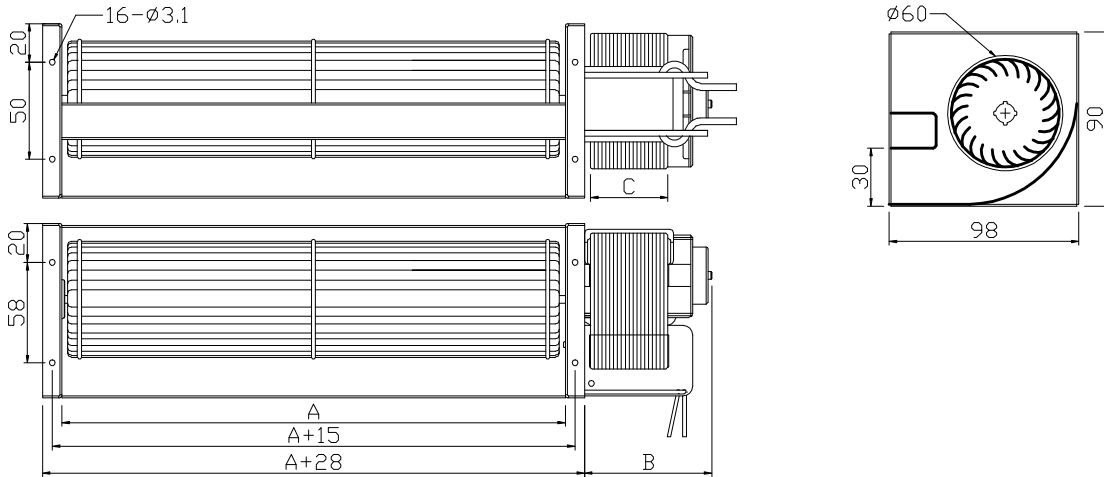
BTF60 Series Crossflow Blowers

Brief Introductions:

Wheel: Aluminum Alloy  
 Housing: Galvanized Sheet or E-Coating  
 Motor Type: Shaded Pole Motors BTF63 Series(can be others)  
 Bearing: Ball Bearing or Bronze Sleeve  
 Power Supply: 100-240VAC As Request

Insulation System: Class E,B,F or H As Request  
 Operating Temperature: -10°C To+50°C  
 Overheating Protection: T.P. or Z.P.  
 Electrical Connection: Flat-pin Terminal or Lead Wire  
 RoHS Compliance: As Needed

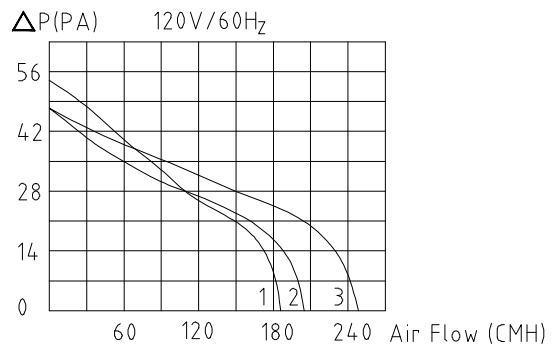
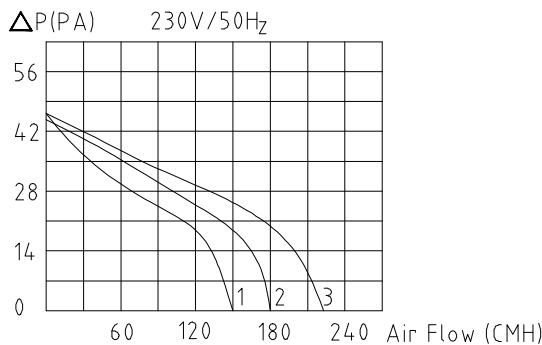
Outline Dimensions (All dimensions in millimeters)



Technical Performances (based on free air condicions)

NO.	Specifications Model	Power Supply		Input Power (Watts)	Output Speed (rpm)	Max.Airflow		Max.Static Pressure		Noise Level dB(A)	Dimensions		
		Volts (VAC)	Freq'y (Hz)			Metric (m <sup>3</sup> /h)	American (CFM)	Metric (PA)	American (in H <sub>2</sub> O)		A	B	C
1.	BTF60180-SP6330	230	50	28	2000	150	88	47	0.1889	45	184	47	30
		120	60	32	2500	185	110	55	0.2211	48			
2.	BTF60240-SP6330	230	50	33	1800	180	106	45	0.1809	43	245	47	30
		120	60	38	2000	200	118	47	0.1889	46			
3.	BTF60300-SP6340	230	50	40	1800	225	121	47	0.1889	42	306	57	40
		120	60	45	2000	250	148	48	0.1930	46			

Charecteristics Curve



- ×Function type is optional.
- ×The max. air flow and the speed are measured in free air ; max.air pressure is measured at zero air flow.
- ×Noise is measured in anechoic chamber in free air,one meter from intake side.
- ×All readings are typical values at rated voltage.
- ×Specifications are subject to change without notice.

Address: No.88 Baihua Road,Baihuadong Village ,Dalingshan Town,Dongguan,Guangdong.  
 Mobile: 13823111573 13926873158  
 Tel: 86-769-33217056 33217059  
 FAX: 86-769-82761650  
 QQ: 343315716 303294997  
 E-mail: betterfan@163.com bestfan2118@163.com  
 Web site: WWW.bestfan888.com