



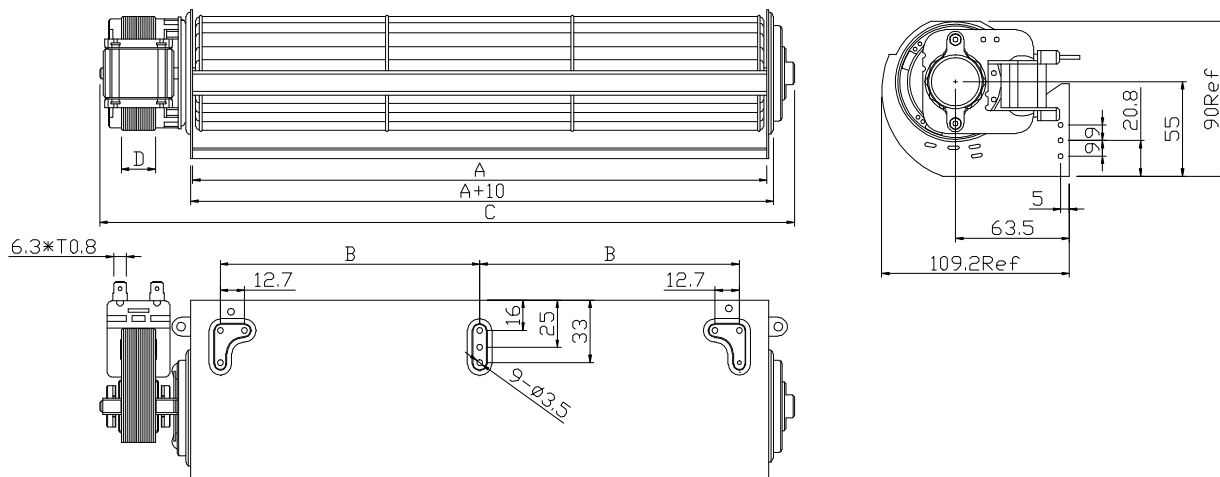
BTF65 Series Crossflow Blowers

Brief Introductions:

Wheel: Aluminum Alloy
 Housing: Galvanized Sheet or E-Coating
 Motor Type: Shaded Pole Motors BTF63 Series(can be others)
 Bearing: Ball Bearing or Bronze Sleeve
 Power Supply: 100-240VAC As Request

Insulation System: Class E,B,F or H As Request
 Operating Temperature: -10°C To+50°C
 Overheating Protection: T.P. or Z.P.
 Electrical Connection: Flat-pin Terminal or Lead Wire
 RoHS Compliance: As Needed

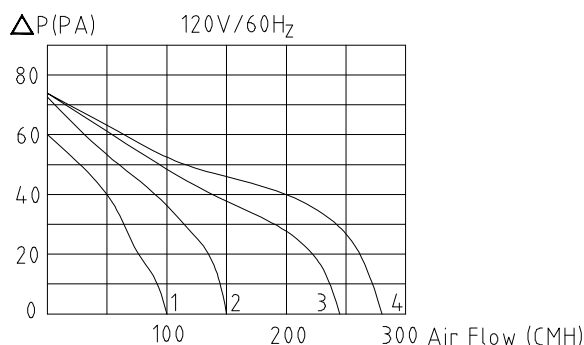
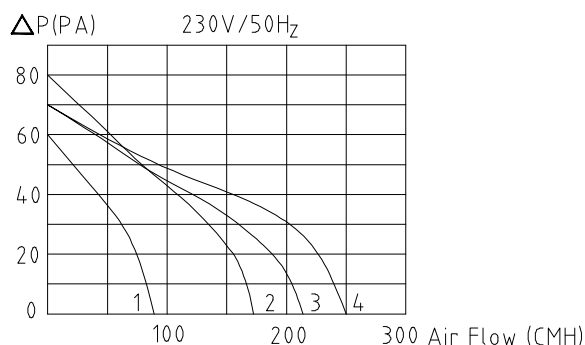
Outline Dimensions (All dimensions in millimeters)



Technical Performances (based on free air condicions)

NO.	Specifications Model	Power Supply		Input Power (Watts)	Output Speed (rpm)	Max.Airflow		Max.Static Pressure		Noise Level dB(A)	Dimensions			
		Volts (VAC)	Freq'y (Hz)			Metric (m ³ /h)	American (CFM)	Metric (PA)	American (in H ₂ O)		A	B	C	D
1.	BTF65120-SP6320	230	50	15	1300	85	50	60	0.2412	42	121	46.5	193	20
		120	60	20	1500	100	60	68	0.2734	45				
2.	BTF65180-SP6325	230	50	30	1500	170	100	80	0.3216	46	181	77	258	25
		120	60	23	1300	145	85	73	0.2935	42				
3.	BTF65240-SP6330	230	50	38	1200	220	130	70	0.2814	42	242	106	324	30
		120	60	40	1300	240	142	75	0.3015	43				
4.	BTF65300-SP6335	230	50	42	1200	250	148	70	0.2814	42	303	136	390	35
		120	60	45	1300	280	166	75	0.3015	43				

Charecteristics Curve



- ×Function type is optional.
- ×The max. air flow and the speed are measured in free air ; max.air pressure is measured at zero air flow.
- ×Noise is measured in anechoic chamber in free air,one meter from intake side.
- ×All readings are typical values at rated voltage.
- ×Specifications are subject to change without notice.

Address: No.88 Baihua Road,Baihuadong Village ,Dalingshan Town,Dongguan,Guangdong.
 Mobile: 13823111573 13926873158
 Tel: 86-769-33217056 33217059
 FAX: 86-769-82761650
 QQ: 343315716 303294997
 E-mail: betterfan@163.com bestfan2118@163.com
 Web site: WWW.bestfan888.com