



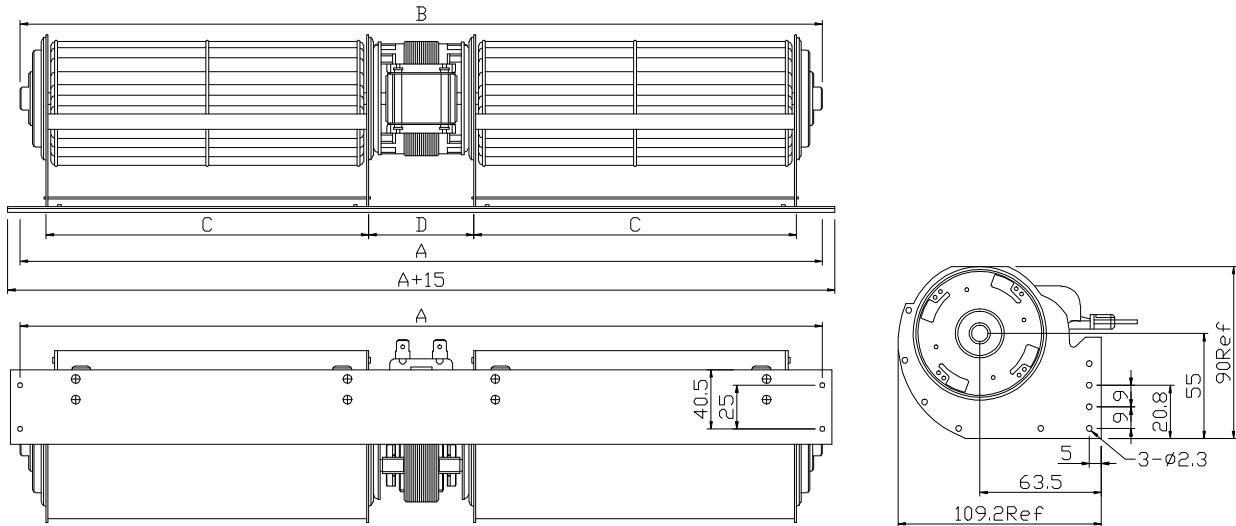
BTF65D Series Crossflow Blowers

Brief Introductions:

Wheel: Aluminum Alloy, 2PCS
 Housing: Galvanized Sheet or E-Coating
 Motor Type: Shaded Pole Motors BTF63 Series (can be others)
 Bearing: Ball Bearing or Bronze Sleeve
 Power Supply: 100-240VAC As Request

Insulation System: Class E, B, F or H As Request
 Operating Temperature: -10°C To +50°C
 Overheating Protection: T.P. or Z.P.
 Electrical Connection: Flat-pin Terminal or Lead Wire
 RoHS Compliance: As Needed

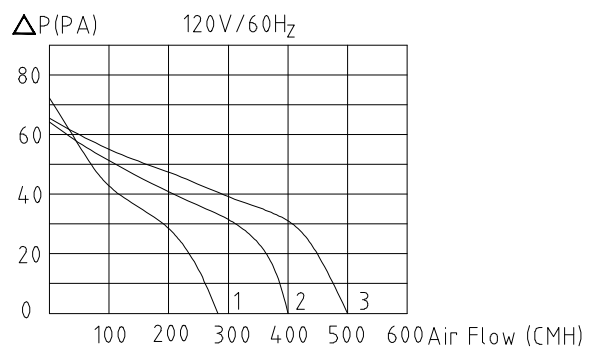
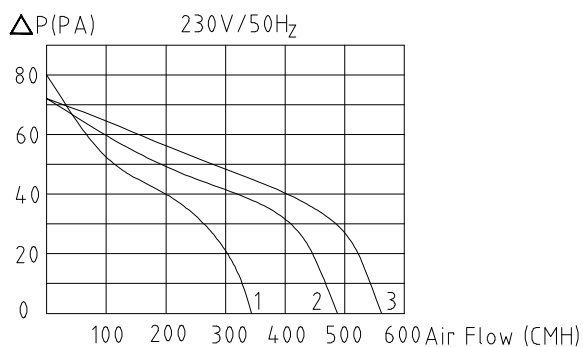
Outline Dimensions (All dimensions in millimeters)



Technical Performances (based on free air conditions)

NO.	Specifications Model	Power Supply		Input Power (Watts)	Output Speed (rpm)	Max. Airflow		Max. Static Pressure		Noise Level dB(A)	Dimensions			
		Volts (VAC)	Frequ'y (Hz)			Metric (m ³ /h)	American (CFM)	Metric (PA)	American (in H ₂ O)		A	B	C	D
1.	BTF65180D-SP6330	230	50	35	1500	340	201	80	0.3216	46	643	467	183	79
		120	60	30	1300	290	171	73	0.2935	43				
2.	BTF65240D-SP6335	230	50	40	1300	480	284	75	0.3015	42	583	594	244	84
		120	60	35	1100	400	237	67	0.2693	40				
3.	BTF65300D-SP6340	230	50	50	1300	560	331	75	0.3015	43	706	721	136	89
		120	60	43	1100	470	278	68	0.2734	41				

Characteristics Curve



- ×Function type is optional.
- ×The max. air flow and the speed are measured in free air ; max.air pressure is measured at zero air flow.
- ×Noise is measured in anechoic chamber in free air, one meter from intake side.
- ×All readings are typical values at rated voltage.
- ×Specifications are subject to change without notice.

Address: No.88 Baihua Road, Baihuadong Village, Dalingshan Town, Dongguan, Guangdong.
 Mobile: 13823111573 13926873158
 Tel: 86-769-33217056 33217059
 FAX: 86-769-82761650
 QQ: 343315716 303294997
 E-mail: betterfan@163.com bestfan2118@163.com
 Web site: WWW.bestfan888.com