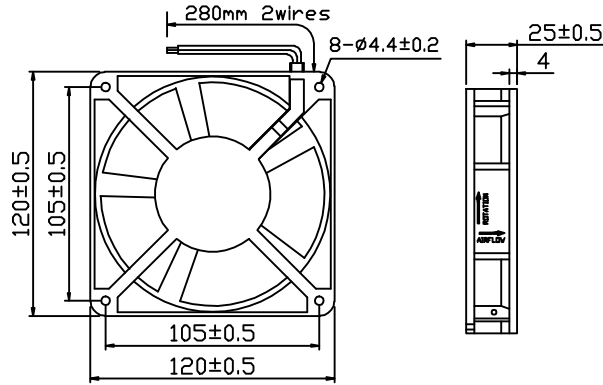


**120\*120\*25 MM**



Housing: Aluminum Alloy painted black  
 Impeller: PA6 Reinforced plastic(PBT) UL94V-0  
 Operating/working temperature: -10°C-60°C  
 Lead Wire: 1007#22 AWG or Equivalent  
 Insulation Resistance:10M ohm,500VAC/min  
 between bare and frame  
 Dielectric strength:5mA max 500 VAC/min  
 between bare wire and frame  
 Approval: CCC CE

Optional specification
Voltage Available
■115V ■ 230V
Bearing system
■sleeve bearing
■two balls bearing

Model	Bearing	Rated Voltage	Frrq.	Rated current	Power	Speed	Noise	Air Flow	Static pressure	Weight
		(V)	Hz	(A)						
BTF-1225B(S)23H	sleeve/ball	230	50/60	0.08	17/15	2300/2700	35/37	58/66	3.8/5.0	320
BTF-1225B(S)23M	sleeve/ball	230	50/60	0.05	12/15	1800/2400	30/35	47/60	2.0/1.8	
BTF-1225B(S)12H	sleeve/ball	115	50/60	0.15	17/15	2300/2700	35/37	58/66	3.8/5.0	
BTF-1225B(S)12M	sleeve/ball	115	50/60	0.10	12/10	1800/2400	30/35	47/60	2.0/1.8	

Function type is optional.  
 The airflow and speed are measured in free air, the air pressure is measured at zero airflow.  
 All reading are sypical values at rated voltage.  
 Specification are subjected to change without prior notice, please confirm them in time before your purchasing order.  
 It is therefore advisable to contact us before proceeding with the design of Equipment incorporating this products.

Address: No.88 Baihua Road, Baihuadong Village, Dalingshan Town, Dongguan, Guangdong.  
 Mobile: 13823111573 13926873158  
 Tel: 86-769-33217056 33217059  
 FAX: 86-769-82761650  
 E-mail: betterfan@163.com bestfan2118@163.com  
 Web site: WWW.bestfan888.com