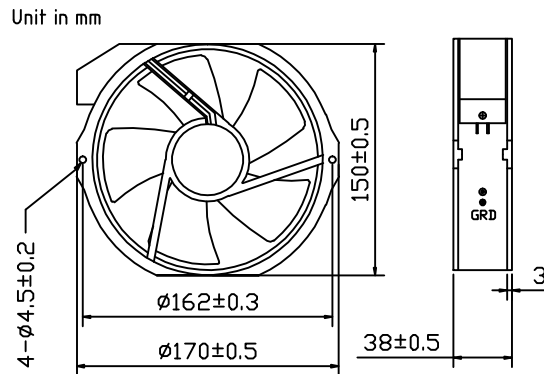


## BEST 170\*150\*38 MM



Housing: Aluminum Alloy painted black  
 Impeller: PA6 Reinforced plastic(PBT) UL94V-0  
 Operating/working temperature: -10°C-60°C  
 Lead Wire: 1015#20 AWG OR Equivalent  
 Insulation Resistance:10M ohm,500VAC/min  
 between bare and frame  
 Dielectric strength:5mA max 500 VAC/min  
 between bare wire and frame  
 Approval: CCC CE

Optional specification  
 Voltage Available  
 ■115V ■ 230V ■ 380V  
 Bearing system  
 ■sleeve bearing  
 ■two balls bearing

Model	Bearing	Rated Voltage	Rated current	Rated input power	Nominal speed	Air Flow		Air pressure		Noise	Frequency	Weight
		(V)	(A)	(W)	(RPM)	(CFM)	(m <sup>3</sup> /min)	(mm-H <sub>2</sub> O)	(inch-H <sub>2</sub> O)	(Dba)	(HZ)	(g)
BTF-17238B23H	ball	230	0.16/0.17	36/35	2850/3400	166/198	4.65/5.54	16.7/19.5	0.66/0.77	57/61	50/60	760
BTF-17238B11H	ball	115	0.25/0.26	36/35	2850/3400	166/198	4.65/5.54	16.7/19.5	0.66/0.77	57/61		

Function type is optional.

The airflow and speed are measured in free air, the air pressure is measured at zero airflow.

All reading are typical values at rated voltage.

Specification are subjected to change without prior notice, please confirm them in time before your purchasing order.

It is therefore advisable to contact us before proceeding with the design of Equipment incorporating this products.

Address: No.88 Baihua Road, Baihuadong Village, Dalingshan Town, Dongguan, Guangdong.

Mobile: 13823111573 13926873158

Tel: 86-769-33217056 33217059

FAX: 86-769-82761650

QQ: 343315716 303294997

E-mail: betterfan@163.com bestfan2118@163.com

Web site: WWW.bestfan888.com