



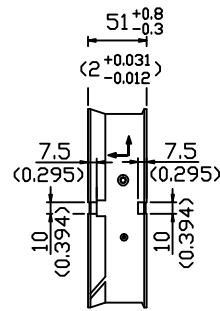
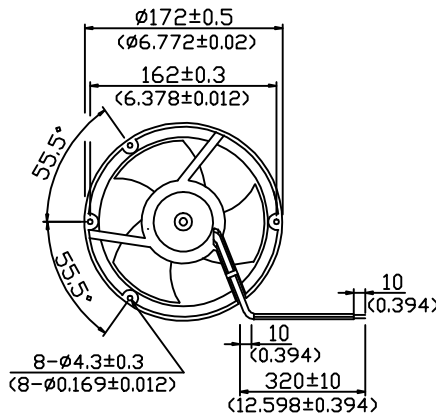
Dongguan BEST motor co., LTD

BEST $\Phi 172 \times 51 \text{MM}$

DIMENSIONS DRAWING

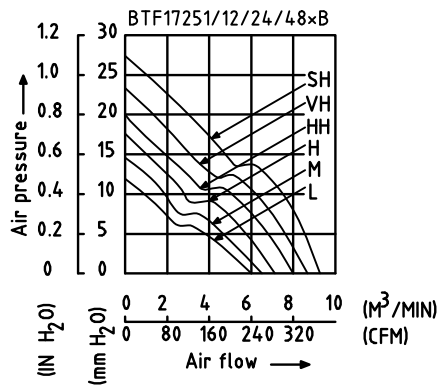


- × Bearing Type
Ball Bearings
- × Material
Impeller: Plastic (UL94V-0)
Frame: Die-Cast Aluminum
- × Lead Wires:
UL 1007 AWG#24 OR Equivalent
Red Wire Positive(+)
Black Wire Negative(-)
- × Weight: 800g(29.62 OZ)

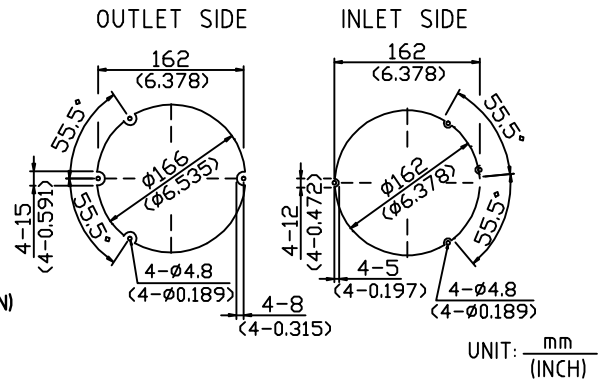


UNIT: $\frac{\text{mm}}{\text{(INCH)}}$

P&Q CURVE (AT RATED VOLTAGE)



MOUNTING PANEL CUTOUT



MODEL		Rated Voltage	Operating Voltage Range	Rated Current	Rated Input Power	Speed	Maximum Air Flow		Maximum Air Pressure		Noise
PART NO.	FUNCTION	VDC	VDC	Amp	Watt	R.P.M.	M ³ /MIN	CFM	mmH ₂ O	IN H ₂ O	dB-A
BTF17251L12B	-R00/-F00/-PWM	12	8.0 TO 14.0	0.79	9.48	2800	5.950	210.12	11.90	0.469	48.0
BTF17251L24B	-R00/-F00/-PWM	24	12.0 TO 28.0	0.39	9.36						
BTF17251L48B	-R00/-F00/-PWM	48	24.0 TO 60.0	0.19	9.12						
BTF17251M12B	-R00/-F00/-PWM	12	8.0 TO 14.0	0.99	11.88	3050	6.520	230.25	14.50	0.571	50.0
BTF17251M24B	-R00/-F00/-PWM	24	12.0 TO 28.0	0.47	11.28						
BTF17251M48B	-R00/-F00/-PWM	48	24.0 TO 60.0	0.25	12.00						
BTF17251H12B	-R00/-F00/-PWM	12	8.0 TO 14.0	1.35	16.20	3350	7.130	251.79	17.49	0.689	53.0
BTF17251H24B	-R00/-F00/-PWM	24	12.0 TO 28.0	0.56	13.44						
BTF17251H48B	-R00/-F00/-PWM	48	24.0 TO 60.0	0.31	14.88						
BTF17251HH12B	-R00/-F00/-PWM	12	8.0 TO 14.0	1.79	21.48	3700	7.920	279.69	20.30	0.800	55.0
BTF17251HH24B	-R00/-F00/-PWM	24	12.0 TO 28.0	0.77	18.48						
BTF17251HH48B	-R00/-F00/-PWM	48	24.0 TO 60.0	0.38	18.24						
BTF17251VH24B	-R00/-F00/-PWM	24	12.0 TO 28.0	0.97	23.28	4000	8.560	302.29	23.80	0.937	57.0
BTF17251VH48B	-R00/-F00/-PWM	48	24.0 TO 60.0	0.49	23.52						
BTF17251SH24B	-R00/-F00/-PWM	24	12.0 TO 28.0	1.17	28.08	4300	9.203	325.00	27.50	1.083	59.0

- × Function type is optional.
- × The max. air flow and the speed are measured in free air ; max.air pressure is measured at zero air flow.
- × Noise is measured in anechoic chamber in free air, one meter from intake side.
- × All readings are typical values at rated voltage.
- × Specifications are subject to change without notice.

Address: No.88 Baihua Road, Baihuadong Village, Dalingshan Town, Dongguan, Guangdong.

Mobile: 13823111573 13926873158

Tel: 86-769-33217056 33217059

FAX: 86-769-82761650

QQ: 343315716 303294997

E-mail: betterfan@163.com bestfan2118@163.com

Web site: WWW.bestfan888.com