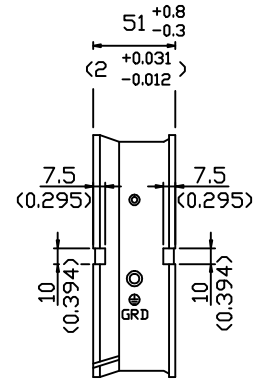
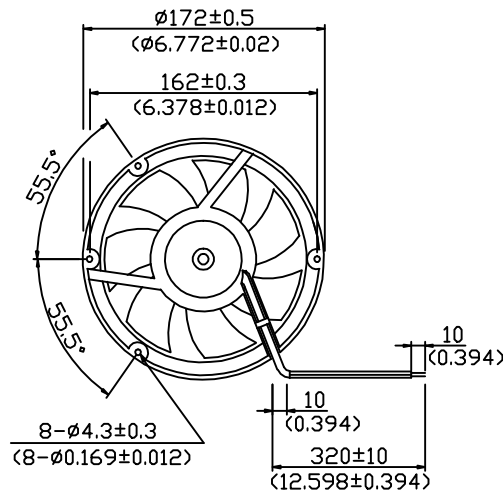




Dongguan BEST motor co., LTD

BEST $\Phi 172 \times 51 \text{MM}$

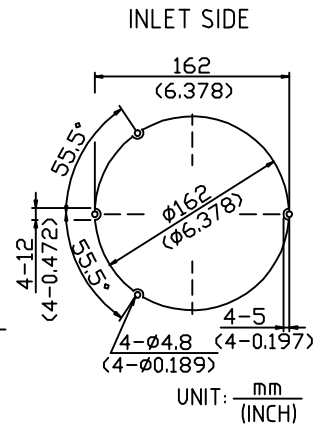
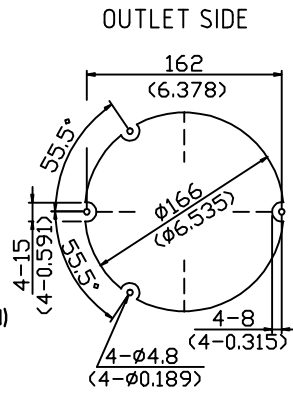
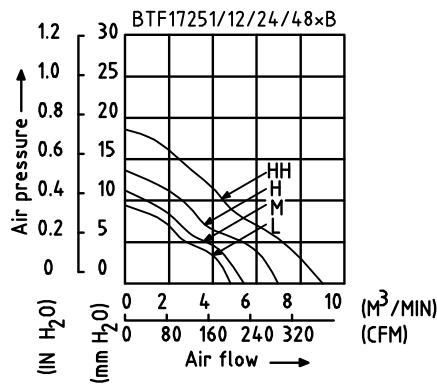
DIMENSIONS DRAWING



UNIT: $\frac{\text{mm}}{\text{(INCH)}}$

- ×Bearing Type
Ball Bearings
- ×Material
Impeller: Plastic (UL94V-0)
Frame: Die-Cast Aluminum
- ×Lead Wires:
UL 1007 AWG#24 OR Equivalent
Red Wire Positive(+)
Black Wire Negative(-)
- ×Weight: 800g(29.62 OZ)

P&Q CURVE (AT RATED VOLTAGE) MOUNTING PANEL CUTOUT



UNIT: $\frac{\text{mm}}{\text{(INCH)}}$

MODEL		Rated Voltage	Operating Voltage Range	Rated Current	Rated Input Power	Speed	Maximum Air Flow		Maximum Air Pressure		Noise
PART NO.	FUNCTION	VDC	VDC	Amp	Watt	R.P.M.	M ³ /MIN	CFM	mmH ₂ O	IN H ₂ O	dB-A
BTF17251L12B	-R00/-F00/-PWM	12	8.0 TO 14.0	0.79	9.48	1800	4.50	160.00	9.11	0.359	38
BTF17251L24B	-R00/-F00/-PWM	24	12.0 TO 28.0	0.39	9.36						
BTF17251L48B	-R00/-F00/-PWM	48	24.0 TO 60.0	0.19	9.12						
BTF17251M12B	-R00/-F00/-PWM	12	8.0 TO 14.0	1.35	16.20	2200	5.50	194.20	11.13	0.438	41
BTF17251M24B	-R00/-F00/-PWM	24	12.0 TO 28.0	0.56	13.44						
BTF17251M48B	-R00/-F00/-PWM	48	24.0 TO 60.0	0.31	14.88						
BTF17251H24B	-R00/-F00/-PWM	24	12.0 TO 28.0	0.97	23.28	2750	6.875	242.76	13.8	0.544	45
BTF17251H48B	-R00/-F00/-PWM	48	24.0 TO 60.0	0.49	23.52						
BTF17251HH24B	-R00/-F00/-PWM	24	12.0 TO 28.0	2.30	55.20						

- ×Function type is optional.
- ×The max. air flow and the speed are measured in free air ; max.air pressure is measured at zero air flow.
- ×Noise is measured in anechoic chamber in free air,one meter from intake side.
- ×All readings are typical values at rated voltage.
- ×Specifications are subject to change without notice.

Address: No.88 Baihua Road,Baihuadong Village ,Dalingshan Town,Dongguan,Guangdong.

Mobile: 13823111573 13926873158

Tel: 86-769-33217056 33217059

FAX: 86-769-82761650

QQ: 343315716 303294997

E-mail: betterfan@163.com bestfan2118@163.com

Web site: WWW.bestfan888.com