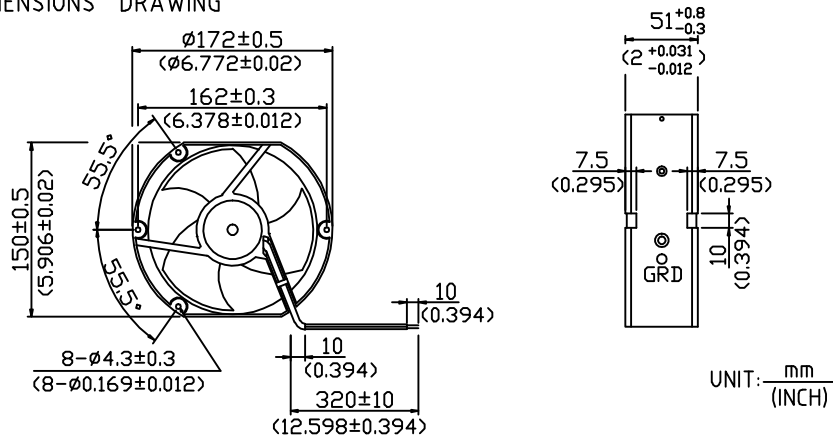




Dongguan BEST motor co., LTD

BEST 172×150×51 MM

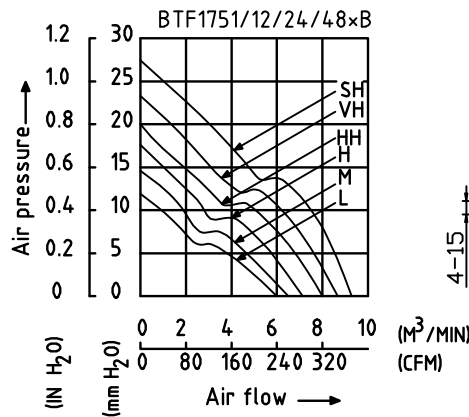
DIMENSIONS DRAWING



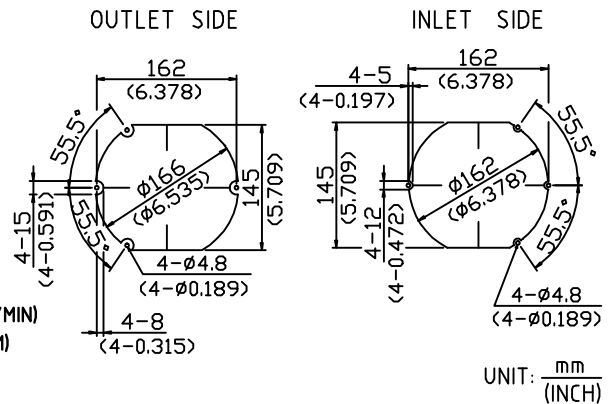
UNIT: $\frac{\text{mm}}{\text{(INCH)}}$

- ×Bearing Type
Ball Bearings
- ×Material
Impeller: Plastic (UL94V-0)
Frame: Die-cast Aluminum
- ×Lead Wires:
UL 1007 AWG#24 OR Equivalent
Red Wire Positive(+)
Black Wire Negative(-)
- ×Weight: 800g (29.62 OZ)

P&Q CURVE (AT RATED VOLTAGE)



MOUNTING PANEL CUTOUT



UNIT: $\frac{\text{mm}}{\text{(INCH)}}$

| MODEL | | Rated Voltage | Operating Voltage Range | Rated Current | Rated Input Power | Speed | Maximum Air Flow | | Maximum Air Pressure | | Noise |
|--------------|---------------|---------------|-------------------------|---------------|-------------------|--------|---------------------|--------|----------------------|---------------------|-------|
| PART NO. | FUNCTION | VDC | VDC | Amp | Watt | R.P.M. | M ³ /MIN | CFM | mmH ₂ O | IN H ₂ O | dB-A |
| BTF1751L12B | -R00/-F00/PWM | 12 | 8.0 TO 14.0 | 0.79 | 9.48 | 2800 | 5.950 | 210.12 | 11.90 | 0.469 | 50.0 |
| BTF1751L24B | -R00/-F00/PWM | 24 | 12.0 TO 28.0 | 0.39 | 9.36 | | | | | | |
| BTF1751L48B | -R00/-F00/PWM | 48 | 24.0 TO 60.0 | 0.19 | 9.12 | | | | | | |
| BTF1751M12B | -R00/-F00/PWM | 12 | 8.0 TO 14.0 | 0.99 | 11.88 | 3050 | 6.520 | 230.25 | 14.50 | 0.571 | 52.0 |
| BTF1751M24B | -R00/-F00/PWM | 24 | 12.0 TO 28.0 | 0.47 | 11.28 | | | | | | |
| BTF1751M48B | -R00/-F00/PWM | 48 | 24.0 TO 60.0 | 0.25 | 12.00 | | | | | | |
| BTF1751H12B | -R00/-F00/PWM | 12 | 8.0 TO 14.0 | 1.35 | 16.20 | 3350 | 7.130 | 251.79 | 17.49 | 0.689 | 55.0 |
| BTF1751H24B | -R00/-F00/PWM | 24 | 12.0 TO 28.0 | 0.56 | 13.44 | | | | | | |
| BTF1751H48B | -R00/-F00/PWM | 48 | 24.0 TO 60.0 | 0.31 | 14.88 | | | | | | |
| BTF1751HH12B | -R00/-F00/PWM | 12 | 8.0 TO 14.0 | 1.79 | 21.48 | 3700 | 7.920 | 279.69 | 20.30 | 0.800 | 57.5 |
| BTF1751HH24B | -R00/-F00/PWM | 24 | 12.0 TO 28.0 | 0.77 | 18.48 | | | | | | |
| BTF1751HH48B | -R00/-F00/PWM | 48 | 24.0 TO 60.0 | 0.38 | 18.24 | | | | | | |
| BTF1751VH24B | -R00/-F00/PWM | 24 | 12.0 TO 28.0 | 0.97 | 23.28 | 4000 | 8.560 | 302.29 | 23.80 | 0.937 | 60.0 |
| BTF1751VH48B | -R00/-F00/PWM | 48 | 24.0 TO 60.0 | 0.49 | 23.52 | | | | | | |
| BTF1751SH24B | -R00/-F00/PWM | 24 | 12.0 TO 28.0 | 1.17 | 28.08 | 4300 | 9.203 | 325.00 | 27.50 | 1.083 | 63.0 |

- ×Function type is optional.
- ×The max. air flow and the speed are measured in free air ; max.air pressure is measured at zero air flow.
- ×Noise is measured in anechoic chamber in free air, one meter from intake side.
- ×All readings are typical values at rated voltage.
- ×Specifications are subject to change without notice.

Address: No.88 Baihua Road, Baihuadong Village, Dalingshan Town, Dongguan, Guangdong.

Mobile: 13823111573 13926873158

Tel: 86-769-33217056 33217059

FAX: 86-769-82761650

QQ: 343315716 303294997

E-mail: betterfan@163.com bestfan2118@163.com

Web site: WWW.bestfan888.com