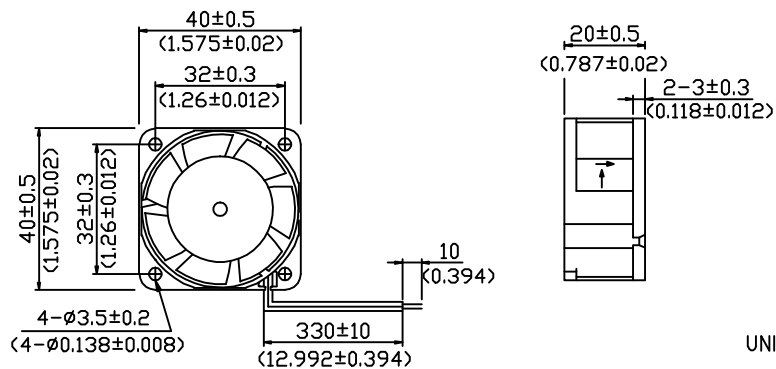




# Dongguan BEST motor co., LTD

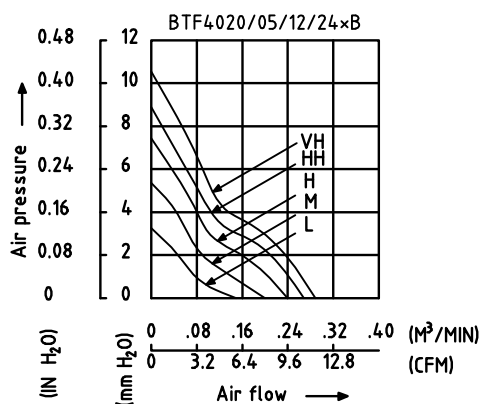
BEST 40×40×20 MM  
DIMENSIONS DRAWING



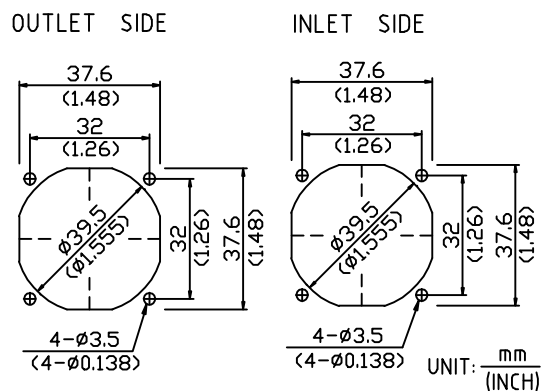
UNIT:  $\frac{mm}{(INCH)}$

- ×Bearing Type  
Ball Bearings
- ×Material  
Impeller & Frame: Plastic(UL94V-0)
- ×Lead Wires:  
UL 1007 AWG#24 OR Equivalent  
Red Wire Positive(+)  
Black Wire Negative(-)
- ×Weight: 33g(1.16 OZ)
- ×Rib Type Only

P&Q CURVE (AT RATED VOLTAGE)



MOUNTING PANEL CUTOUT



MODEL		Rated Voltage	Operating Voltage Range	Rated Current	Rated Input Power	Speed	Maximum Air Flow		Maximum Air Pressure		Noise
PART NO.	FUNCTION	VDC	VDC	Amp	Watt	R.P.M.	M <sup>3</sup> /MIN	CFM	mmH <sub>2</sub> O	IN H <sub>2</sub> O	dB-A
BTF4020L05B	-R00/-F00	5	4.5 TO 5.5	0.10	0.50	5000	0.157	5.54	3.45	0.136	22.0
BTF4020L12B	-R00/-F00	12	7.0 TO 13.8	0.05	0.60						
BTF4020L24B	-R00/-F00	24	14.0 TO 27.6	0.04	0.96						
BTF4020M05B	-R00/-F00	5	4.5 TO 5.5	0.15	0.75	6300	0.203	7.17	5.54	0.218	24.0
BTF4020M12B	-R00/-F00	12	7.0 TO 13.8	0.06	0.72						
BTF4020M24B	-R00/-F00	24	14.0 TO 27.6	0.05	1.20						
BTF4020H05B	-R00/-F00	5	4.5 TO 5.5	0.25	1.25	7600	0.242	8.54	7.69	0.303	28.5
BTF4020H12B	-R00/-F00	12	7.0 TO 13.8	0.08	0.96						
BTF4020H24B	-R00/-F00	24	14.0 TO 27.6	0.06	1.44						
BTF4020HH05B	-R00/-F00	5	4.5 TO 5.5	0.30	1.50	8200	0.267	9.43	9.00	0.354	30.5
BTF4020HH12B	-R00/-F00	12	7.0 TO 13.8	0.10	1.20						
BTF4020HH24B	-R00/-F00	24	14.0 TO 27.6	0.07	1.68						
BTF4020VH05B	-R00/-F00	5	4.5 TO 5.5	0.32	1.60	9000	0.286	10.10	10.57	0.416	32.5
BTF4020VH12B	-R00/-F00	12	7.0 TO 13.8	0.12	1.44						
BTF4020VH24B	-R00/-F00	24	14.0 TO 27.6	0.09	2.16						

- ×Function type is optional.
- ×The max. air flow and the speed are measured in free air ; max.air pressure is measured at zero air flow.
- ×Noise is measured in anechoic chamber in free air,one meter from intake side.
- ×All readings are typical values at rated voltage.
- ×Specifications are subject to change without notice.

Address: No.88 Baihua Road,Baihuadong Village ,Dalingshan Town,Dongguan,Guangdong.  
 Mobile: 1382311573 13926873158  
 Tel: 86-769-33217056 33217059  
 FAX: 86-769-82761650  
 QQ: 343315716 303294997  
 E-mail: betterfan@163.com bestfan2118@163.com  
 Web site: WWW.bestfan888.com