

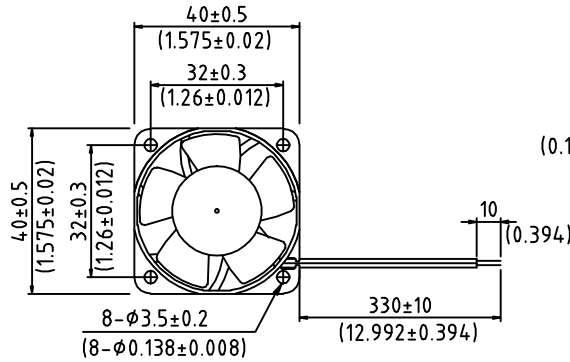


BEST 40×40×28 MM

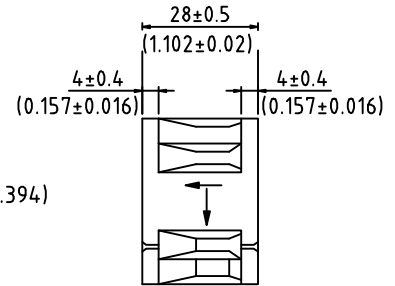
DIMENSIONS DRAWING



- ×Bearing Type
Ball Bearings
- ×Material
Impeller & Frame:Plastic(UL94V-0)
- ×Lead Wires:
UL 1007 AWG#24 OR Equivalent
Red Wire Positive(+)
Black Wire Negative(-)
- ×Weight:32g(1.13 OZ)

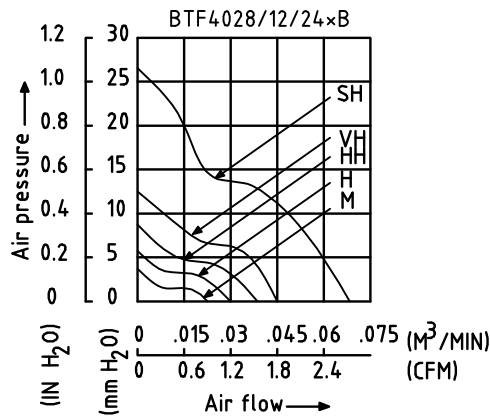


P&Q CURVE (AT RATED VOLTAGE)



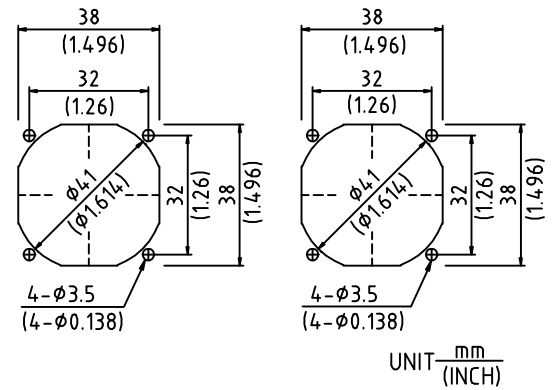
MOUNTING PANEL CUTOUT

UNIT $\frac{mm}{(INCH)}$



OUTLET SIDE

INLET SIDE



UNIT $\frac{mm}{(INCH)}$

MODEL		Rated Voltage	Operating Voltage Range	Rated Current	Rated Input Power	Speed	Maximum Air Flow		Maximum Air Pressure		Noise
PART NO.	FUNCTION	VDC	VDC	Amp	Watt	R.P.M.	M ³ /MIN	CFM	mmH ₂ O	IN H ₂ O	dB-A
BTF4028M12B	-R00/-F00	12	4.5 TO 13.8	0.05	0.60	5000	0.228	8.05	3.77	0.148	23.9
BTF4028M24B	-R00/-F00	24	14.0 TO 27.6	0.04	0.96						
BTF4028H12B	-R00/-F00	12	4.5 TO 13.8	0.07	0.84	6500	0.300	10.59	6.30	0.248	32.1
BTF4028H24B	-R00/-F00	24	14.0 TO 27.6	0.06	1.44						
BTF4028HH12B	-R00/-F00	12	4.5 TO 13.8	0.11	1.32	8000	0.375	13.24	9.39	0.370	36.9
BTF4028HH24B	-R00/-F00	24	14.0 TO 27.6	0.08	1.92						
BTF4028VH12B	-R00/-F00	12	4.5 TO 13.2	0.16	1.92	9500	0.447	15.79	12.94	0.509	41.9
BTF4028VH24B	-R00/-F00	24	14.0 TO 26.4	0.10	2.40						
BTF4028SH12B	-R00/-F00	12	4.5 TO 13.8	0.50	6.00	13000	0.680	24.00	27.30	1.075	51.5

- ×Function type is optional.
- ×The max. air flow and the speed are measured in free air ; max.air pressure is measured at zero air flow.
- ×Noise is measured in anechoic chamber in free air,one meter from intake side.
- ×All readings are typical values at rated voltage.
- ×Specifications are subject to change without notice.

Address: No.88 Baihua Road,Baihuadong Village ,Dalingshan Town,Dongguan,Guangdong.

Mobile: 13823111573 13926873158

Tel: 86-769-33217056 33217059

FAX: 86-769-82761650

QQ: 343315716 303294997

E-mail: betterfan@163.com bestfan2118@163.com

Web site: WWW.bestfan888.com