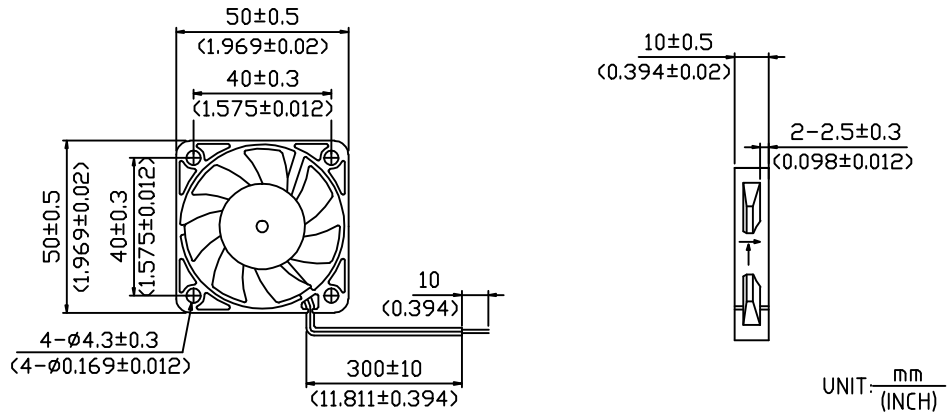




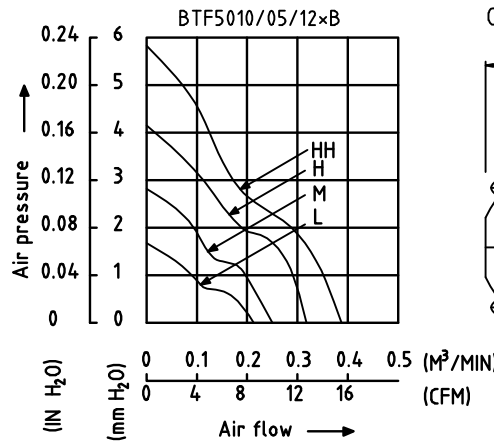
# Dongguan BEST motor co., LTD

BEST 50x50x10 MM  
DIMENSIONS DRAWING

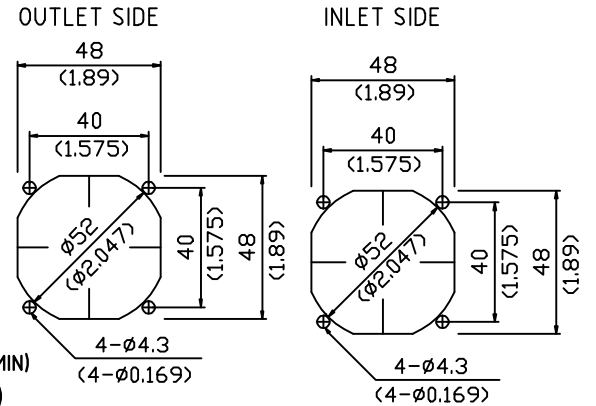


- ×Bearing Type  
Ball Bearings
- ×Material  
Impeller & Frame: Plastic(UL94V-0)
- ×Lead Wires:  
UL 2468 AWG#28 OR Equivalent  
Red Wire Positive(+)  
Black Wire Negative(-)
- ×Weight: 25g(0.88 OZ)
- ×Rib Type Only

P&Q CURVE (AT RATED VOLTAGE )



MOUNTING PANEL CUTOUT



UNIT:  $\frac{\text{mm}}{\text{(INCH)}}$

MODEL		Rated Voltage	Operating Voltage Range	Rated Current	Rated Input Power	Speed	Maximum Air Flow		Maximum Air Pressure		Noise
PART NO.	FUNCTION	VDC	VDC	Amp	Watt	R.P.M.	M <sup>3</sup> /MIN	CFM	mmH <sub>2</sub> O	IN H <sub>2</sub> O	dB-A
BTF5010L05B	-R00/-F00	5	4.5 TO 5.5	0.07	0.35	3500	0.212	7.50	1.72	0.068	18.0
BTF5010L12B	-R00/-F00	12	7.0 TO 13.8	0.05	0.60						
BTF5010M05B	-R00/-F00	5	4.5 TO 5.5	0.13	0.65	4500	0.261	9.21	2.87	0.113	25.0
BTF5010M12B	-R00/-F00	12	7.0 TO 13.8	0.08	0.96						
BTF5010H05B	-R00/-F00	5	4.5 TO 5.5	0.20	1.00	5500	0.323	11.40	4.24	0.167	30.0
BTF5010H12B	-R00/-F00	12	7.0 TO 13.8	0.10	1.20						
BTF5010HH12B	-R00/-F00	12	7.0 TO 13.8	0.15	1.80	6500	0.384	13.57	5.89	0.232	35.0

- ×Function type is optional.
- ×The max. air flow and the speed are measured in free air ; max.air pressure is measured at zero air flow.
- ×Noise is measured in anechoic chamber in free air,one meter from intake side.
- ×All readings are typical values at rated voltage.
- ×Specifications are subject to change without notice.
- ×Both of the ball bearing and the 1 ball + 1 sleeve type are available.

Address: No.88 Baihua Road,Baihuadong Village ,Dalingshan Town,Dongguan,Guangdong.  
 Mobile: 13823111573 13926873158  
 Tel: 86-769-33217056 33217059  
 FAX: 86-769-82761650  
 QQ: 343315716 303294997  
 E-mail: betterfan@163.com bestfan2118@163.com  
 Web site: WWW.bestfan888.com