

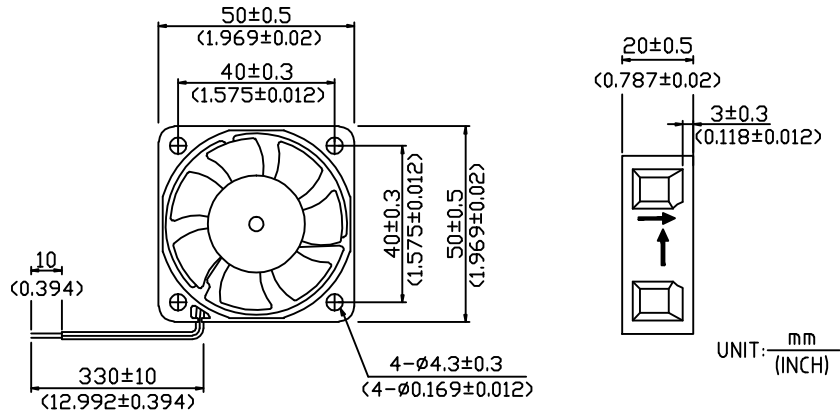


Dongguan BEST motor co., LTD

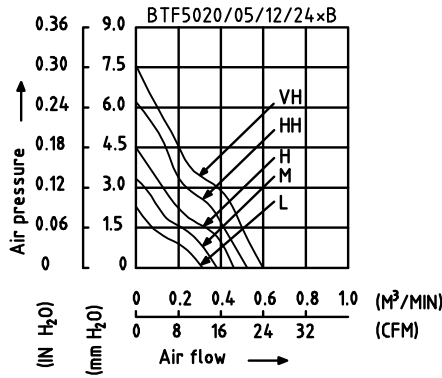
BEST 50x50x20 MM
DIMENSIONS DRAWING



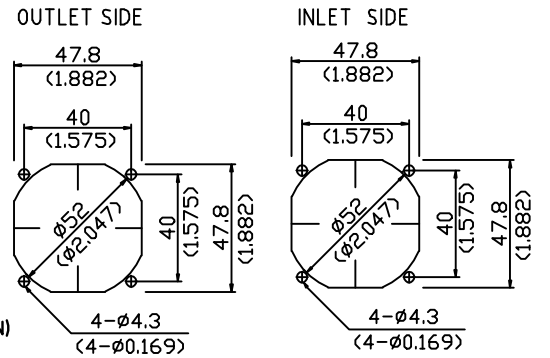
- ×Bearing Type
Two Ball Bearings
- ×Material
Impeller & Frame: Plastic(UL94V-0)
- ×Lead Wires:
UL 1007 AWG#24 OR Equivalent
Red Wire Positive(+)
Black Wire Negative(-)
- ×Weight: 38g(1.34 OZ)
- ×Rib Type Only



P&Q CURVE (AT RATED VOLTAGE)



MOUNTING PANNEL CUTOUT



UNIT: mm (INCH)

MODEL		Rated Voltage	Operating Voltage Range	Rated Current	Rated Input Power	Speed	Maximum Air Flow		Maximum Air Pressure		Noise
PART NO.	FUNCTION	VDC	VDC	Amp	Watt	R.P.M.	M ³ /MIN	CFM	mmH ₂ O	IN H ₂ O	dB-A
BTF5020L05B	-R00/-F00	5	4.5 TO 5.5	0.14	0.70	4000	0.311	10.98	2.42	0.095	25.0
BTF5020L12B	-R00/-F00	12	7.0 TO 13.8	0.06	0.72						
BTF5020L24B	-R00/-F00	24	14.0 TO 27.6	0.05	1.20						
BTF5020M05B	-R00/-F00	5	4.5 TO 5.5	0.20	1.00	4800	0.379	13.39	3.48	0.137	28.0
BTF5020M12B	-R00/-F00	12	7.0 TO 13.8	0.07	0.84						
BTF5020M24B	-R00/-F00	24	14.0 TO 27.6	0.06	1.44						
BTF5020H05B	-R00/-F00	5	4.5 TO 5.5	0.33	1.65	5600	0.447	15.79	4.62	0.182	33.0
BTF5020H12B	-R00/-F00	12	7.0 TO 13.8	0.10	1.20						
BTF5020H24B	-R00/-F00	24	14.0 TO 27.6	0.07	1.68						
BTF5020HH12B	-R00/-F00	12	7.0 TO 13.8	0.14	1.68	6400	0.518	18.30	6.44	0.254	37.0
BTF5020HH24B	-R00/-F00	24	14.0 TO 27.6	0.09	2.16						
BTF5020VH12B	-R00/-F00	12	7.0 TO 13.8	0.16	1.92	7000	0.575	20.30	7.70	0.303	40.5
BTF5020VH24B	-R00/-F00	24	14.0 TO 27.6	0.10	2.40						

- ×Function type is optional.
- ×The max. air flow and the speed are measured in free air ; max.air pressure is measured at zero air flow.
- ×Noise is measured in anechoic chamber in free air,one meter from intake side.
- ×All readings are typical values at rated voltage.
- ×Specifications are subject to change without notice.

Address: No.88 Baihua Road,Baihuadong Village ,Dalingshan Town,Dongguan,Guangdong.
 Mobile: 13823111573 13926873158
 Tel: 86-769-33217056 33217059
 FAX: 86-769-82761650
 QQ: 343315716 303294997
 E-mail: betterfan@163.com bestfan2118@163.com
 Web site: WWW.bestfan888.com