



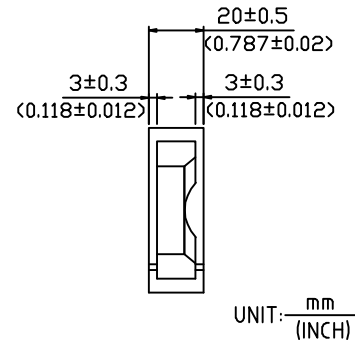
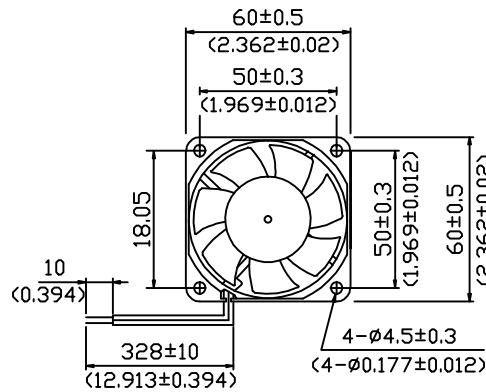
# Dongguan BEST motor co., LTD

BEST 60×60×20 MM

DIMENSIONS DRAWING

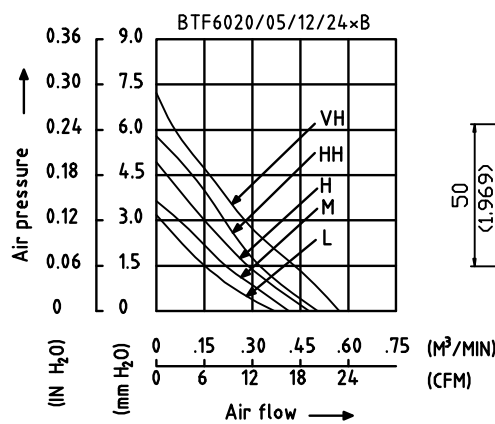


- ×Bearing Type  
Ball Bearings
- ×Material  
Impeller & Frame: Plastic (UL94V-0)
- ×Lead Wires:  
UL 1007 AWG#24 OR Equivalent  
Red Wire Positive(+)  
Black Wire Negative(-)
- ×Weight: 62g (2.19 OZ)
- ×Rib Type Only

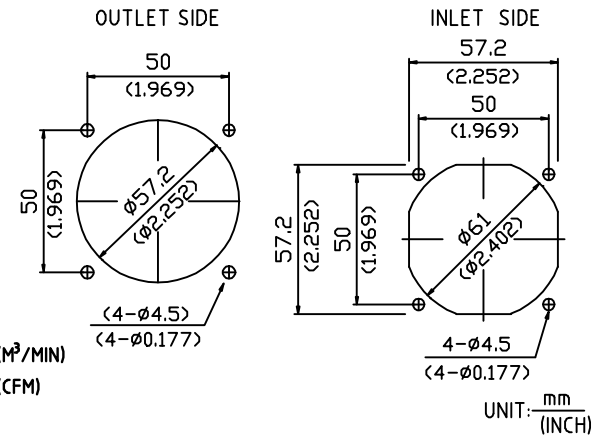


UNIT: mm  
(INCH)

P&Q CURVE (AT RATED VOLTAGE)



MOUNTING PANEL CUTOUT



UNIT: mm  
(INCH)

MODEL		Rated Voltage	Operating Voltage Range	Rated Current	Rated Input Power	Speed	Maximum Air Flow		Maximum Air Pressure		Noise
PART NO.	FUNCTION	VDC	VDC	Amp	Watt	R.P.M.	M <sup>3</sup> /MIN	CFM	mmH <sub>2</sub> O	IN H <sub>2</sub> O	dB-A
BTF6020L05B	/-F00	5	4.5 TO 5.5	0.14	0.70	3200	0.370	13.06	3.03	0.119	24.0
BTF6020L12B	-R00/-F00	12	7.0 TO 13.8	0.07	0.84						
BTF6020L24B	-R00/-F00	24	14.0 TO 27.6	0.03	0.72						
BTF6020M05B	/-F00	5	4.5 TO 5.5	0.19	0.95	3600	0.420	14.83	3.83	0.151	26.0
BTF6020M12B	-R00/-F00	12	7.0 TO 13.8	0.09	1.08						
BTF6020M24B	-R00/-F00	24	14.0 TO 27.6	0.04	0.96						
BTF6020H05B	/-F00	5	4.5 TO 5.5	0.24	1.20	4000	0.470	16.60	4.80	0.189	28.0
BTF6020H12B	-R00/-F00	12	7.0 TO 13.8	0.11	1.32						
BTF6020H24B	-R00/-F00	24	14.0 TO 27.6	0.05	1.20						
BTF6020HH05B	/-F00	5	4.5 TO 5.5	0.33	1.65	4400	0.520	18.36	5.81	0.229	31.0
BTF6020HH12B	-R00/-F00	12	7.0 TO 13.8	0.15	1.80						
BTF6020HH24B	-R00/-F00	24	14.0 TO 27.6	0.07	1.68						
BTF6020VH12B	-R00/-F00	12	7.0 TO 13.8	0.18	2.16	4800	0.560	19.78	7.00	0.275	33.0
BTF6020VH24B	-R00/-F00	24	14.0 TO 27.6	0.09	2.16						

×Function type is optional.

×The max. air flow and the speed are measured in free air ; max.air pressure is measured at zero air flow.

×Noise is measured in anechoic chamber in free air, one meter from intake side.

×All readings are typical values at rated voltage.

×Specifications are subject to change without notice.

Address: No.88 Baihua Road, Baihuadong Village, Dalingshan Town, Dongguan, Guangdong.

Mobile: 13823111573 13926873158

Tel: 86-769-33217056 33217059

FAX: 86-769-82761650

QQ: 343315716 303294997

E-mail: betterfan@163.com bestfan2118@163.com

Web site: WWW.bestfan888.com