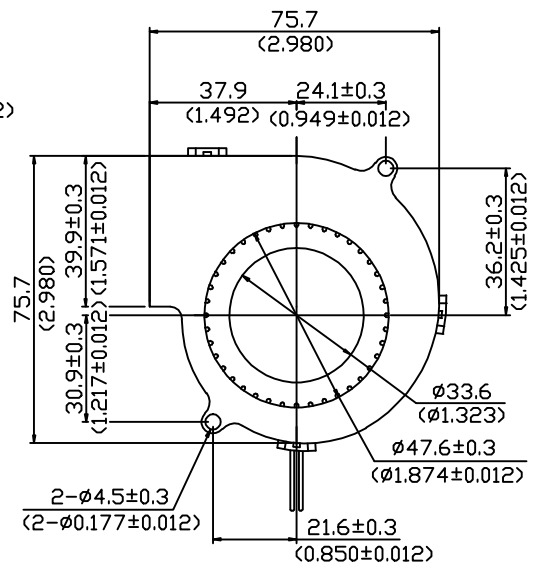
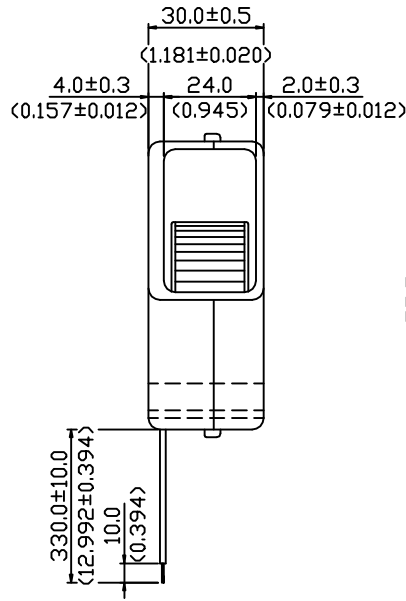
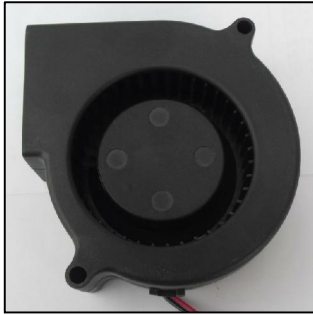




# Dongguan BEST motor co., LTD

BEST 75×75×30 MM

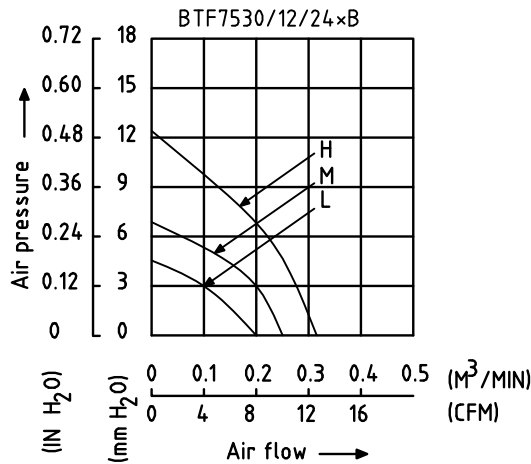
## DIMENSIONS DRAWING



UNIT:  $\frac{\text{mm}}{\text{INCH}}$

- ×Bearing Type  
Ball Bearings
- ×Material  
Impeller & Frame: Plastic(UL94V-0)
- ×Lead Wires:  
UL 1007 AWG#24 OR Equivalent  
Red Wire Positive(+)  
Black Wire Negative(-)
- ×Weight: 95g(3.35 OZ)

## P&Q CURVE (AT RATED VOLTAGE )



MODEL		Rated Voltage	Operating Voltage Range	Rated Current	Rated Input Power	Speed	Maximum Air Flow		Maximum Air Pressure		Noise
PART NO.	FUNCTION	VDC	VDC	Amp	Watt	R.P.M.	M <sup>3</sup> /MIN	CFM	mmH <sub>2</sub> O	IN H <sub>2</sub> O	dB-A
BTF7530L12B	-R00/-F00	12	7.0 TO 13.8	0.06	0.72	1900	0.198	7.00	4.00	0.157	26.0
BTF7530L24B	-R00/-F00	24	14.0 TO 27.6	0.05	1.20						
BTF7530M12B	-R00/-F00	12	7.0 TO 13.8	0.13	1.56	2350	0.255	9.00	6.80	0.268	32.0
BTF7530M24B	-R00/-F00	24	14.0 TO 27.6	0.07	1.68						
BTF7530H12B	-R00/-F00	12	7.0 TO 13.8	0.17	2.04	2820	0.320	11.30	12.20	0.480	38.0
BTF7530H24B	-R00/-F00	24	14.0 TO 27.6	0.08	1.92						

- ×Function type is optional.
- ×The max. air flow and the speed are measured in free air ; max.air pressure is measured at zero air flow.
- ×Noise is measured in anechoic chamber in free air,one meter from intake side.
- ×All readings are typical values at rated voltage.
- ×Specifications are subject to change without notice.

Address: No.88 Baihua Road,Baihuadong Village ,Dalingshan Town,Dongguan,Guangdong.  
 Mobile: 13823111573 13926873158  
 Tel: 86-769-33217056 33217059  
 FAX: 86-769-82761650  
 QQ: 343315716 303294997  
 E-mail: betterfan@163.com bestfan2118@163.com  
 Web site: WWW.bestfan888.com