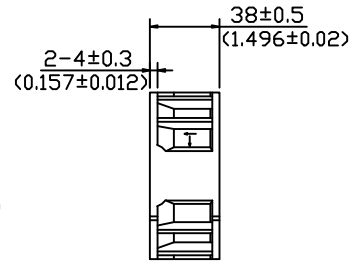
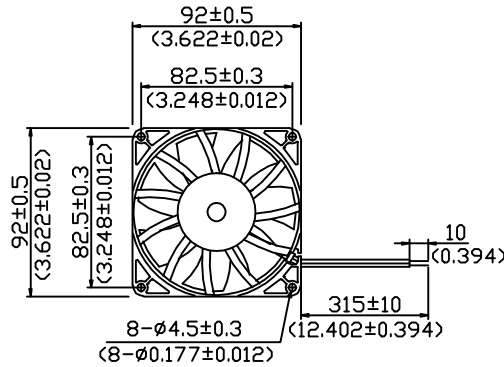




Dongguan BEST motor co., LTD

BEST 92×92×38 MM

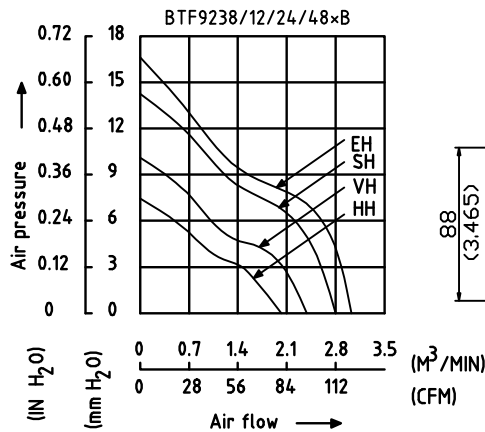
DIMENSIONS DRAWING



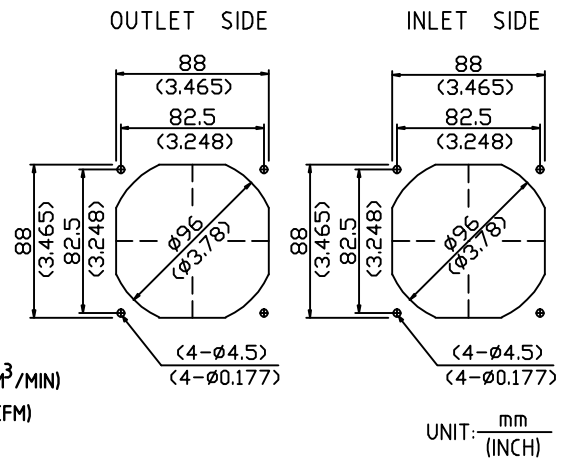
UNIT: $\frac{\text{mm}}{\text{(INCH)}}$

- ×Bearing Type
Ball Bearings
- ×Material
Impeller & Frame: Plastic(UL94V-0)
- ×Lead Wires:
UL 1007 AWG#24 OR Equivalent
Red Wire Positive(+)
Black Wire Negative(-)
- ×Weight: 198g(6.98 OZ)

P&Q CURVE (AT RATED VOLTAGE)



MOUNTING PANEL CUTOUT



MODEL		Rated Voltage	Operating Voltage Range	Rated Current	Rated Input Power	Speed	Maximum Air Flow		Maximum Air Pressure		Noise
PART NO.	FUNCTION	VDC	VDC	Amp	Watt	R.P.M.	M ³ /MIN	CFM	mmH ₂ O	IN H ₂ O	dB-A
BTF9238HH12B	-R00/-F00/PWM	12	7.0 TO 13.8	0.35	4.20	3200	2.030	71.69	7.58	0.298	42.5
BTF9238HH24B	-R00/-F00/PWM	24	14.0 TO 27.6	0.18	4.32						
BTF9238HH48B	-R00/-F00/PWM	48	28.0 TO 56.0	0.10	4.80						
BTF9238VH12B	-R00/-F00/PWM	12	7.0 TO 13.8	0.50	6.00	3800	2.420	85.46	10.30	0.406	47.5
BTF9238VH24B	-R00/-F00/PWM	24	14.0 TO 27.6	0.28	6.72						
BTF9238VH48B	-R00/-F00/PWM	48	28.0 TO 56.0	0.14	6.72						
BTF9238SH12B	-R00/-F00/PWM	12	7.0 TO 13.8	0.75	9.00	4400	2.840	100.29	14.53	0.572	52.5
BTF9238SH24B	-R00/-F00/PWM	24	14.0 TO 27.6	0.40	9.60						
BTF9238SH48B	-R00/-F00/PWM	48	28.0 TO 53.0	0.20	9.60						
BTF9238EH12B	-R00/-F00/PWM	12	7.0 TO 13.8	1.00	12.00	4800	3.120	110.18	16.90	0.665	55.0
BTF9238EH24B	-R00/-F00/PWM	24	14.0 TO 27.6	0.50	12.00						

- ×Function type is optional.
- ×The max. air flow and the speed are measured in free air ; max.air pressure is measured at zero air flow.
- ×Noise is measured in anechoic chamber in free air,one meter from intake side.
- ×All readings are typical values at rated voltage.
- ×Specifications are subject to change without notice.

Address: No.88 Baihua Road,Baihuadong Village ,Dalingshan Town,Dongguan,Guangdong.
 Mobile: 13823111573 13926873158
 Tel: 86-769-33217056 33217059
 FAX: 86-769-82761650
 QQ: 343315716 303294997
 E-mail: betterfan@163.com bestfan2118@163.com
 Web site: WWW.bestfan888.com