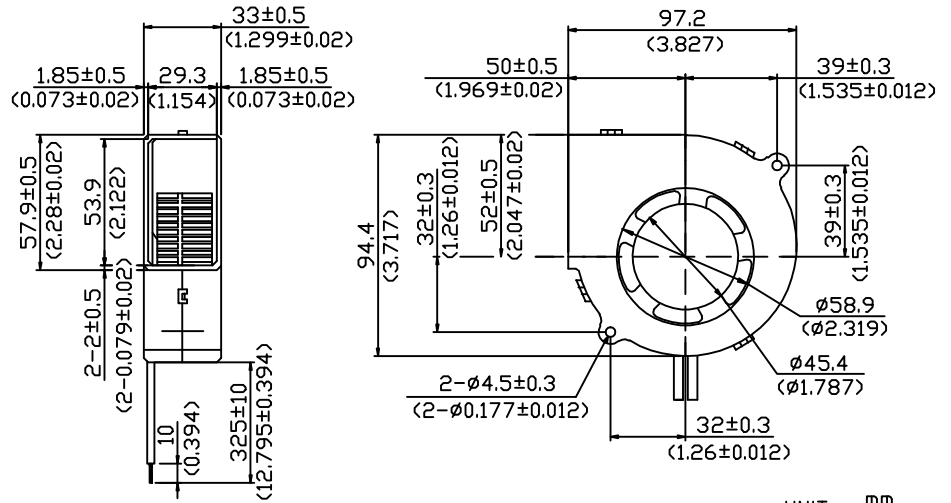




Dongguan BEST motor co., LTD

BEST 97×97×33 MM

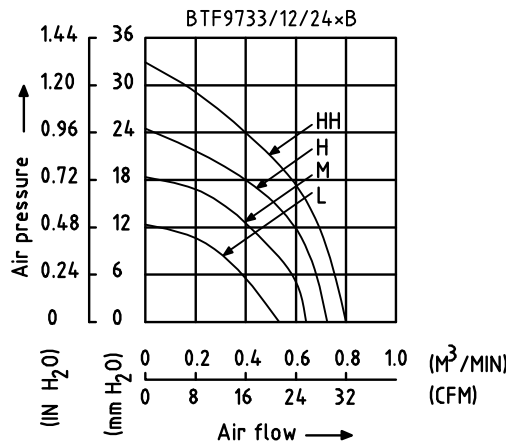
DIMENSIONS DRAWING



UNIT: $\frac{\text{mm}}{\text{INCH}}$

- ×Bearing Type
Ball Bearings
- ×Material
Impeller & Frame: Plastic (UL94V-0)
- ×Lead Wires:
UL 1007 AWG#24 OR Equivalent
Red Wire Positive(+)
Black Wire Negative(-)
- ×Weight: 160g (5.64 OZ)

P&Q CURVE (AT RATED VOLTAGE)



MODEL		Rated Voltage	Operating Voltage Range	Rated Current	Rated Input Power	Speed	Maximum Air Flow		Maximum Air Pressure		Noise
PART NO.	FUNCTION						VDC	VDC	Amp	Watt	
BTF9733L12B	-R00/-F00/PWM	12	4.0 TO 13.8	0.32	3.84	2700	0.540	19.07	12.70	0.500	45.0
BTF9733L24B	-R00/-F00/PWM	24	7.0 TO 27.6	0.16	3.84						
BTF9733M12B	-R00/-F00/PWM	12	4.0 TO 13.8	0.57	6.84	3200	0.640	22.60	19.00	0.748	49.0
BTF9733M24B	-R00/-F00/PWM	24	7.0 TO 27.6	0.26	6.24						
BTF9733H12B	-R00/-F00/PWM	12	4.0 TO 13.8	0.80	9.60	3600	0.720	25.43	25.40	1.000	52.0
BTF9733H24B	-R00/-F00/PWM	24	7.0 TO 27.6	0.40	9.60						
BTF9733HH12B	-R00/-F00/PWM	12	4.0 TO 13.2	1.10	13.20	4000	0.800	28.25	33.00	1.299	55.0
BTF9733HH24B	-R00/-F00/PWM	24	7.0 TO 27.6	0.55	13.20						

- ×Function type is optional.
- ×The max. air flow and the speed are measured in free air ; max.air pressure is measured at zero air flow.
- ×Noise is measured in anechoic chamber in free air, one meter from intake side.
- ×All readings are typical values at rated voltage.
- ×Specifications are subject to change without notice.

Address: No.88 Baihua Road, Baihuadong Village, Dalingshan Town, Dongguan, Guangdong.
 Mobile: 13823111573 13926873158
 Tel: 86-769-33217056 33217059
 FAX: 86-769-82761650
 QQ: 343315716 303294997
 E-mail: betterfan@163.com bestfan2118@163.com
 Web site: WWW.bestfan888.com