



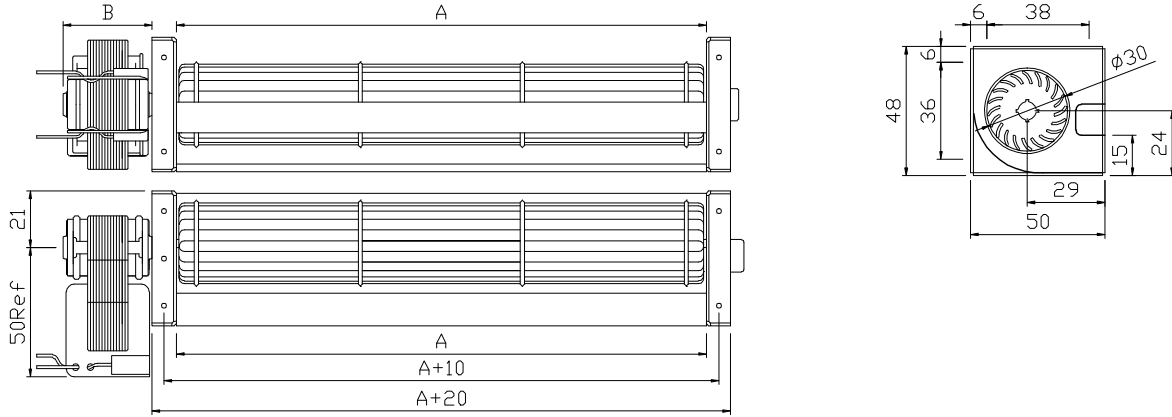
BTF30 Series Crossflow Blowers

Brief Introductions:

Wheel: Aluminum Alloy
 Housing: Galvanized Sheet or E-Coating
 Motor Type: Shaded Pole Motors BTF48 Series(can be others)
 Bearing: Ball Bearing or Bronze Sleeve
 Power Supply: 100-240VAC As Request

Insulation System: Class E,B,F or H As Request
 Operating Temperature: -10°C To+50°C
 Overheating Protection: T.P. or Z.P.
 Electrical Connection: Lead Wire
 RoHS Compliance: As Needed

Outline Dimensions (All dimensions in millimeters)

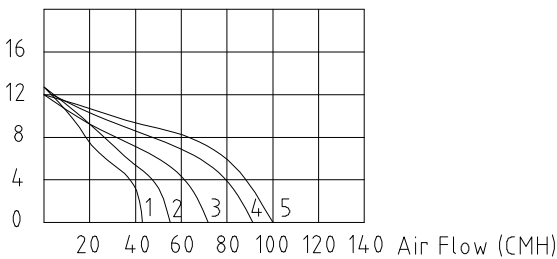


Technical Performances (based on free air condicions)

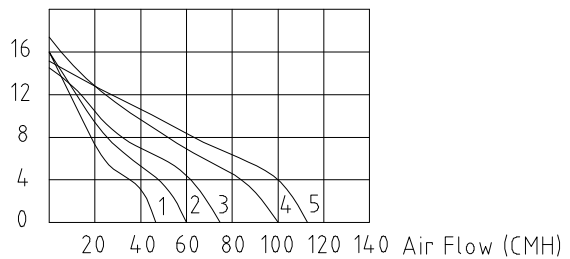
NO.	Specifications Model	Power Supply		Input Power (Watts)	Output Speed (rpm)	Max.Airflow		Max.Static Pressure		Noise Level dB(A)	Dimensions	
		Volts (VAC)	Freq'y (Hz)			Metric (m ³ /h)	American (CFM)	Metric (PA)	American (in H ₂ O)		A (mm)	B (mm)
1	BTF30150-SP4815	230	50	10	2700	42	25.0	13.0	0.0523	35	160	35
		120	60	8	3100	48	28.4	16.0	0.0643			
2	BTF30200-SP4815	230	50	11	2700	55	32.5	13.0	0.0523	35	198	35
		120	60	8	3100	60	35.5	16.0	0.0643			
3	BTF30250-SP4820	230	50	10	2600	67	40.0	12.0	0.0483	37	248	40
		120	60	9	2900	73	43.0	14.5	0.0583			
4	BTF30300-SP4820	230	50	13	2700	90	53.0	13.0	0.0523	38	303	40
		120	60	12	3100	100	59.0	17.0	0.0684			
5	BTF30350-SP4825	230	50	15	2600	100	59.0	12.0	0.0483	39	353	45
		120	60	14	2900	110	65.0	15.0	0.0603			

Charecteristics Curve

ΔP(PA) 230V/50Hz



ΔP(PA) 120V/60Hz



- ×Function type is optional.
- ×The max. air flow and the speed are measured in free air ; max.air pressure is measured at zero air flow.
- ×Noise is measured in anechoic chamber in free air,one meter from intake side.
- ×All readings are typical values at rated voltage.
- ×Specifications are subject to change without notice.

Address: No.88 Baihua Road,Baihuadong Village ,Dalingshan Town,Dongguan,Guangdong.

Mobile: 13823111573 13926873158

Tel: 86-769-33217056 33217059

FAX: 86-769-82761650

QQ: 343315716 303294997

E-mail: betterfan@163.com bestfan2118@163.com

Web site: WWW.bestfan888.com