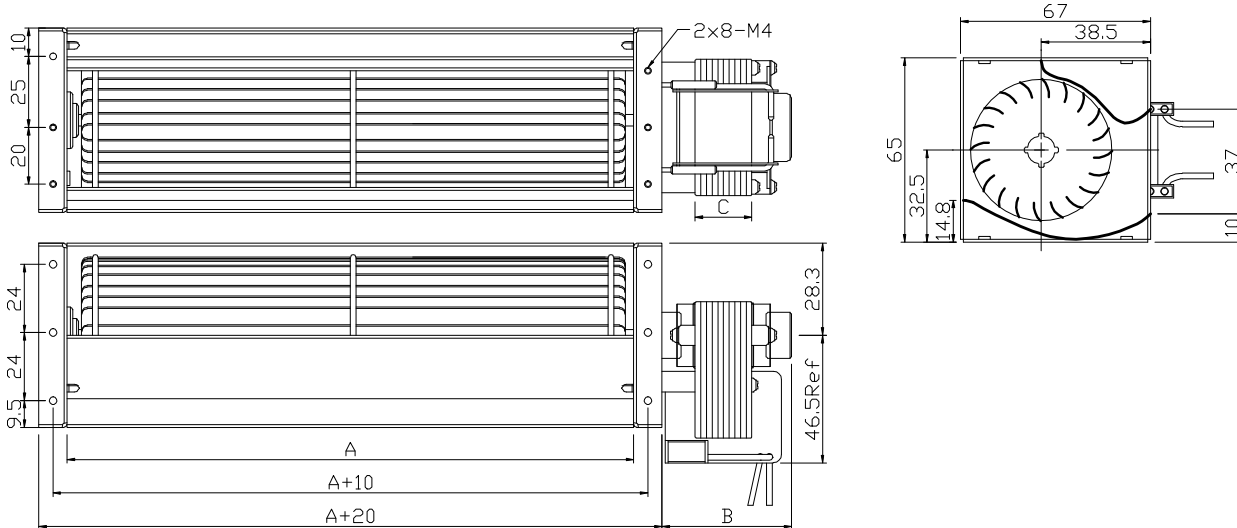


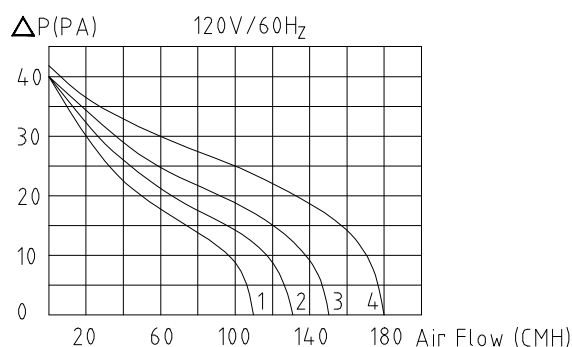
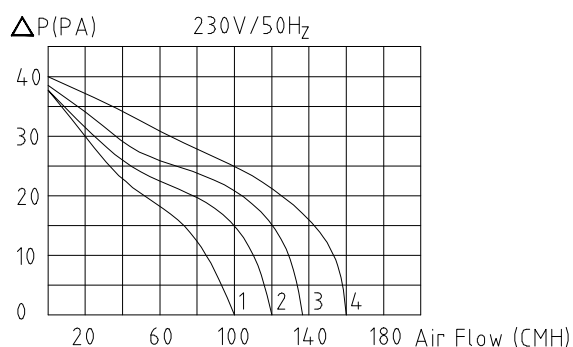
BTF A50 Series Crossflow Blowers
Brief Introductions:

Wheel: Aluminum Alloy
 Housing: Galvanized Sheet or E-Coating
 Motor Type: Shaded Pole Motors BTF48 Series (can be others)
 Bearing: Ball Bearing or Bronze Sleeve
 Power Supply: 100-240VAC As Request

Insulation System: Class E, B, F or H As Request
 Operating Temperature: -10°C To +50°C
 Overheating Protection: T.P. or Z.P.
 Electrical Connection: Flat-pin Terminal or Lead Wire
 RoHS Compliance: As Needed

Outline Dimensions (All dimensions in millimeters)

Technical Performances (based on free air conditions)

NO.	Specifications Model	Power Supply		Input Power (Watts)	Output Speed (rpm)	Max. Airflow		Max. Static Pressure		Noise Level dB(A)	Dimensions		
		Volts	Freq'y			Metric	American	Metric	American		A	B	C
		(VAC)	(Hz)			(m ³ /h)	(CFM)	(PA)	(in H ₂ O)		(mm)		
1	BTF A50200-SP4815	230	50	13	2000	78	46	11	0.0442	41	200	47	15
		120	60	13	2300	90	53	13	0.0523	43			
2	BTF A50250-SP4820	230	50	18	2000	130	77	15	0.0603	42	250	52	20
		120	60	18	2300	150	88	18	0.0724	45			
3	BTF A50300-SP4820	230	50	22	2000	150	88	15	0.0603	42	300	52	20
		120	60	22	2300	170	100	18	0.0724	45			

Characteristics Curve


- ×Function type is optional.
- ×The max. air flow and the speed are measured in free air ; max.air pressure is measured at zero air flow.
- ×Noise is measured in anechoic chamber in free air, one meter from intake side.
- ×All readings are typical values at rated voltage.
- ×Specifications are subject to change without notice.

Address: No.88 Baihua Road, Baihuadong Village, Dalingshan Town, Dongguan, Guangdong.

Mobile: 13823111573 13926873158

Tel: 86-769-33217056 33217059

FAX: 86-769-82761650

QQ: 343315716 303294997

E-mail: betterfan@163.com bestfan2118@163.com

Web site: WWW.bestfan888.com