



Dongguan BEST motor co., LTD

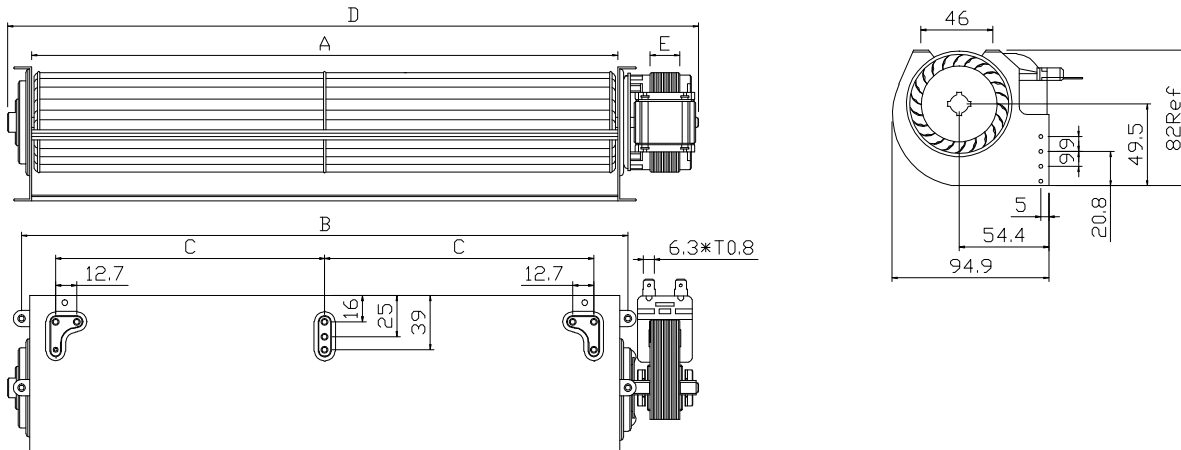
BTF60 Series Crossflow Blowers

Brief Introductions:

Wheel: Aluminum Alloy
 Housing: Galvanized Sheet or E-Coating
 Motor Type: Shaded Pole Motors BTF63 Series(can be others)
 Bearing: Ball Bearing or Bronze Sleeve
 Power Supply: 100-240VAC As Request

Insulation System: Class E,B,F or H As Request
 Operating Temperature: -10°C To+50°C
 Overheating Protection: T.P. or Z.P.
 Electrical Connection: Flat-pin Terminal or Lead Wire
 RoHS Compliance: As Needed

Outline Dimensions (All dimensions in millimeters)

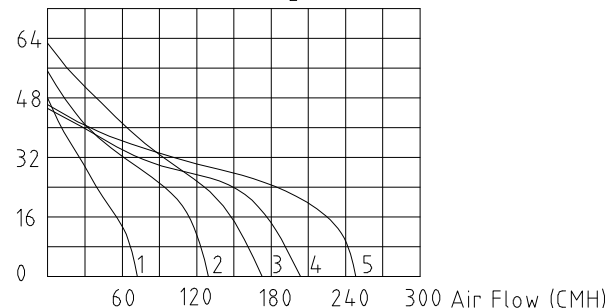


Technical Performances (based on free air condicions)

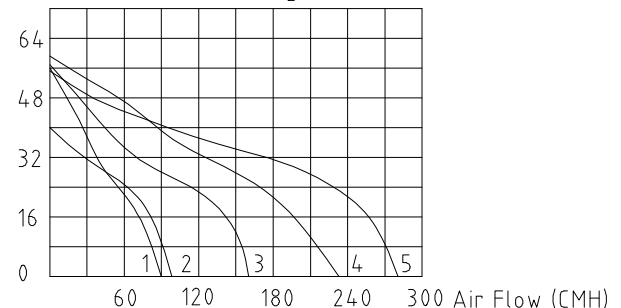
NO.	Model	Power Supply		Input Power	Output Speed	Max.Airflow		Max.Static Pressure		Noise Level	Dimensions				
		Volts	Freq'y			Metric	American	Metric	American		A	B	C	D	E
		(VAC)	(Hz)	(Watts)	(rpm)	(m ³ /h)	(CFM)	(PA)	(in H ₂ O)	(mm)					
1.	BTF60120-SP6320	230	50	17	1600	70	41	48	0.1930	45	121	132	46.5	188	20
		120	60	20	2000	90	53	56	0.2251	49					
2.	BTF60180-SP6315	230	50	23	1400	130	77	55	0.2211	45	181	192	77	253	15
		120	60	18	1200	100	60	40	0.1608	40					
3.	BTF60240-SP6325	230	50	33	1700	170	100	63	0.2533	48	242	253	106	324	25
		120	60	30	1600	160	95	57	0.2291	47					
4.	BTF60300-SP6330	230	50	28	1400	200	120	45	0.1809	43	303	314	136	380	30
		120	60	45	1600	230	136	60	0.2412	47					
5.	BTF60360-SP6335	230	50	45	1400	250	148	46	0.1849	44	366	377	166	453	35
		120	60	47	1600	290	171	55	0.2211	48					

Charecteristics Curve

ΔP(PA) 230V/50Hz



ΔP(PA) 120V/60Hz



xFunction type is optional.

xThe max. air flow and the speed are measured in free air ; max.air pressure is measured at zero air flow.

xNoise is measured in anechoic chamber in free air,one meter from intake side.

xAll readings are typical values at rated voltage.

xSpecifications are subject to change without notice.

Address: No.88 Baihua Road,Baihuadong Village ,Dalingshan Town,Dongguan,Guangdong.

Mobile: 13823111573 13926873158

Tel: 86-769-33217056 33217059

FAX: 86-769-82761650

QQ: 343315716 303294997

E-mail: betterfan@163.com bestfan2118@163.com

Web site: WWW.bestfan888.com