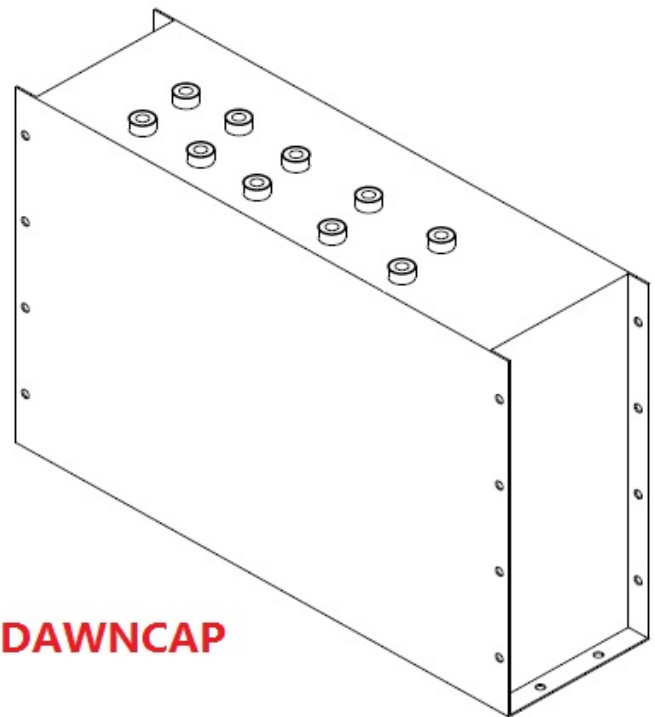


DC “Link” Filter Capacitor

The DCG is a metallized polypropylene film capacitor designed to handle the heavy load of power applications, typical in DC Link applications. The packaging incorporates mounting used in typical design, but can be customized to meet specific customer needs.



FEATURES

- Long Life > 100,000 Hours
- Cost Effective
- Low ESL & ESR
- High RMS Current Capability
- High Surge Voltage Capability, 1.5 x VDC 10s
- Surge Current 1.5 x Ipk
- Ground Test: 5 kVDC for 10s
- Reference Mil-Std 202 & IEC 61071
- Flexible Construction
- RoHS compliant

STANDARD CONFIGURATION

- Male Screw Terminal
- Female Screw Terminal
- Low ESL Bus Mount Terminal
- IGBT Direct Mount Terminal

Specification Summary

Capacitance Range

380 μ F to 17,100 μ F

Capacitance Tolerance

Standard capacitance tolerance is $\pm 10\%$. Tolerances of $\pm 5\%$ and $\pm 20\%$ are available on request.

Operating Temperature Range

-40°C to +85°C

Hot Spot Temperature Calculation: $H.S. = Tamb + (I \times I \times Rs) \times Rth$.

Failure Rate: 100FIT

Enclosure/Construction

Metallized Polypropylene encapsulated in aluminum housing. Bus bar electrical mounting for low ESL & ESR.

Voltage Rating

700 VDC to 3000 VDC

Quality Control

Capacitors are tested 100% for:

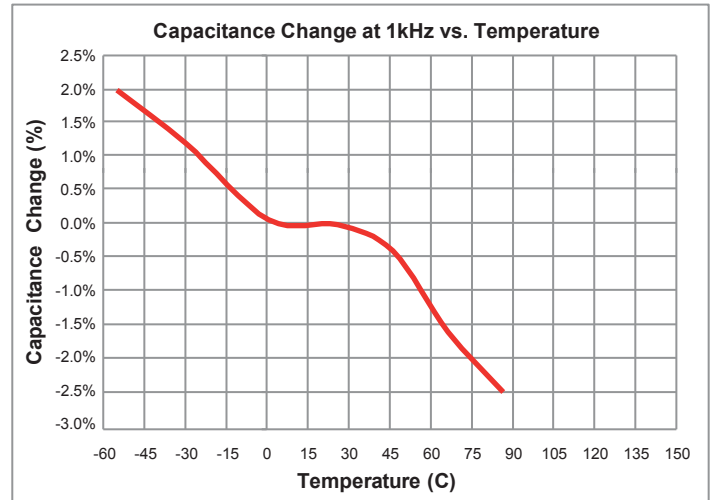
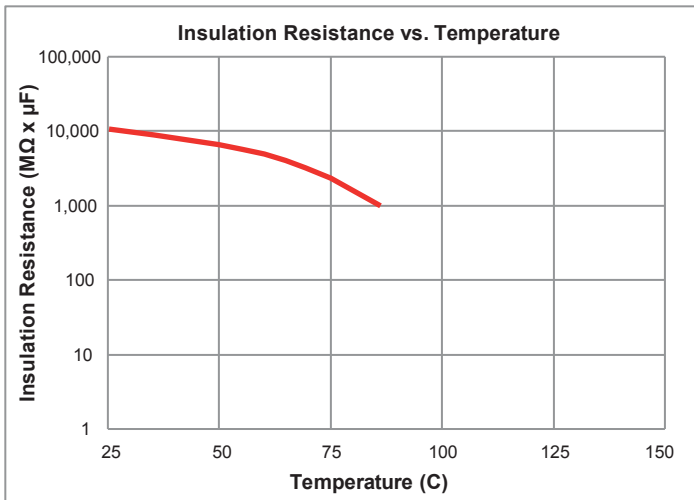
- Capacitance
- Tolerance
- Dissipation Factor
- Dielectric withstanding voltage
- Insulation Resistance
- Equivalent Series Resistance (ESR)

Process and inspection data are maintained on file and available on special request.

Environmental (Complies with IEC 61071)

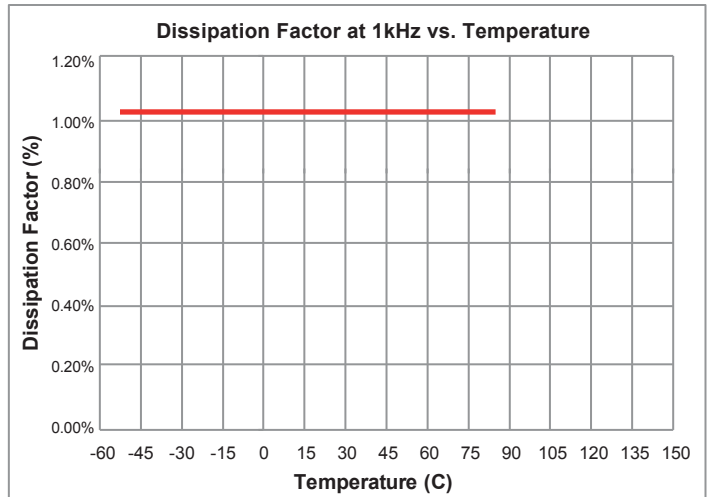
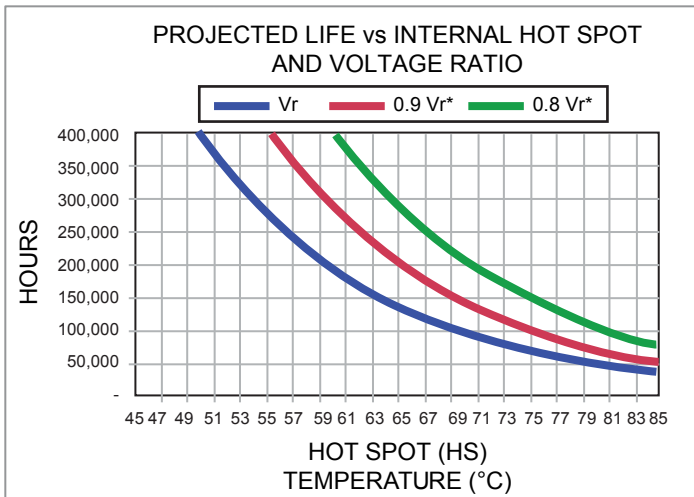
Parameter	Method	Condition
Vibration	204	D
Shock	213	I
Humidity	106	-
Thermal Shock	107	A
Life	108	F

Characteristics



Dissipation Factor

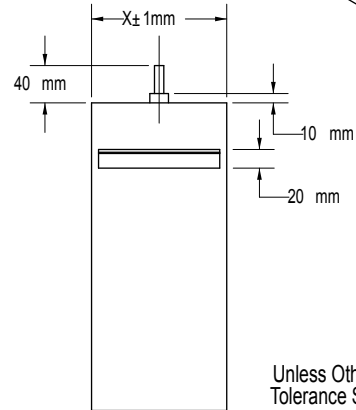
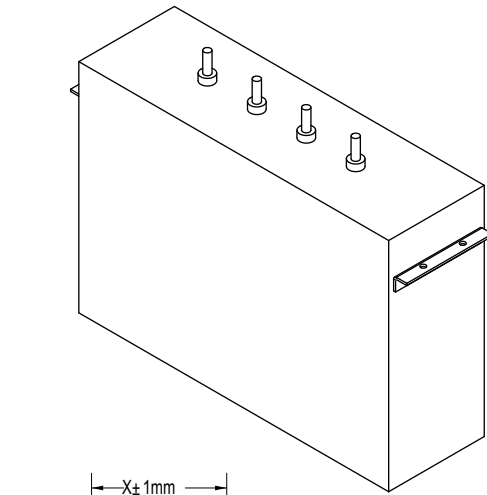
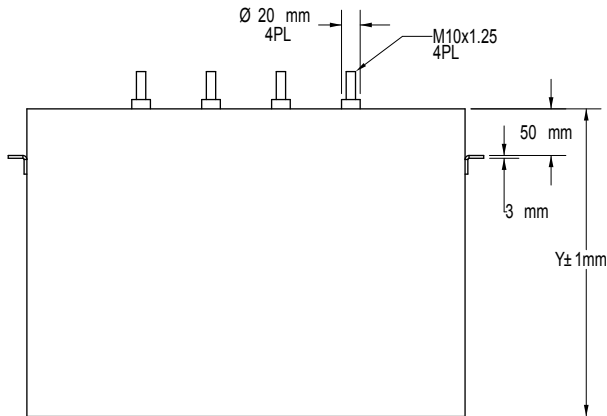
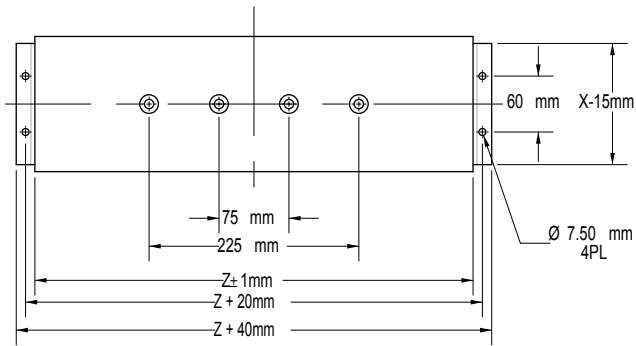
Polypropylene has an intrinsic dissipation factor of less than 0.00021 over the operating temperature range and frequencies to 1MHz.



Detail Data

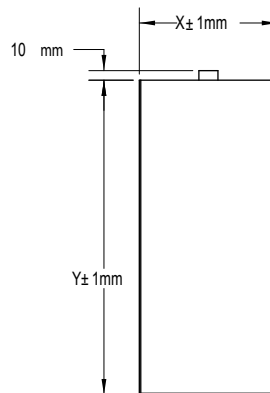
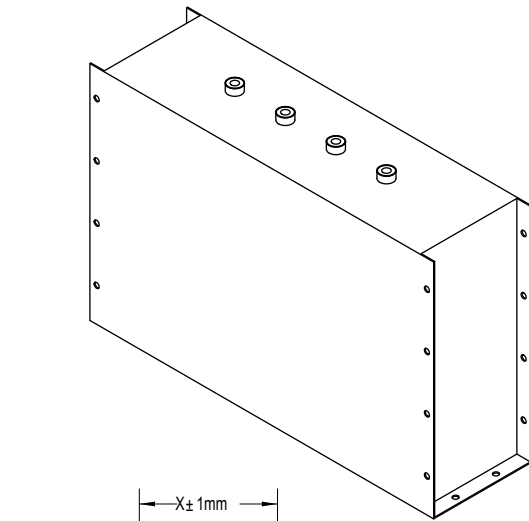
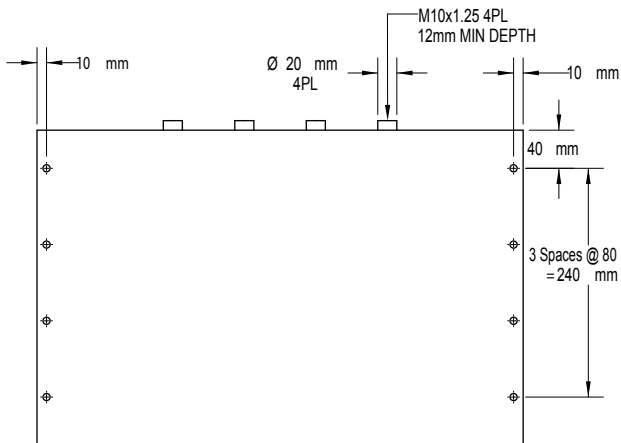
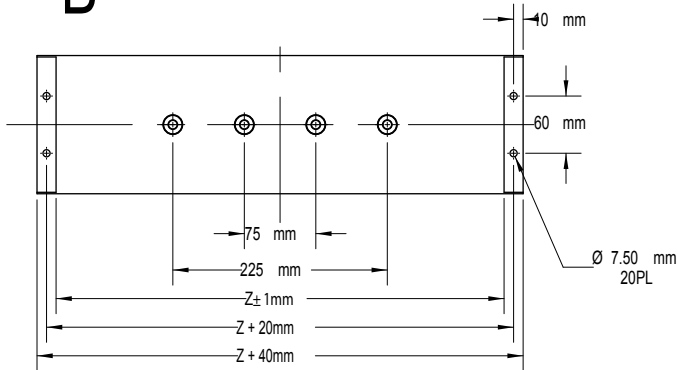
Style

A



Unless Otherwise Specified the Tolerance Shall be +/- 0.5mm

B



Mounting Bracket 1.5mm Thick Unless Otherwise Specified the Tolerance Shall be +/- 0.5mm

Additional Information

The DCG series uses the company's proven Unlyt[®] technology which significantly reduces weight and size optimized for DC power conversion. Additionally, the product incorporates traditional dry film "self-healing" properties, providing long life and reliability.

How to Order

TYPE Metallized Polypropylene	→	DCG
STYLE 1=Male Screw, 2=Female Screw	→	A
VOLTAGE DC Voltage Rating: BE=700VDC, BJ=900VDC, BM=1100VDC, BN=1200VDC, BT=1600VDC, CA=2000VDC, CD=3000VDC	→	BJ
CAPACITANCE IN PICO FARADS The first two digits are significant, the third represents the number of zeros (e.g 448=4,400,000,000pF)	→	448
TOLERANCE Standard tolerance is ±10%. Tolerances of ±5% and ±20% are available upon request.	→	K