

## GENERAL TECHNICAL CHARACTERISTICS

- Dielectric : Polypropylene film
- Construction : Dry construction, filled by solid resin  
Non-inductive type
- Case : Aluminium case
- Leads: Tinneaded insert M6 or M8 fillde with resin

## ELECTRICAL CHARACTERISTICS

- Working teGperature : - 40 to + 85 °C
- Capacitance : 50 to 1000μF
- Rated Voltage : 800~3200Vdc
- Tolerance : ± 5%, ± 10%
- Dissipation factor: Geasured at 1000±20 Hz AND 25±5°C.  
When  $Cr \leq 1.0\mu F$ ,  $4 \times 10^{-4}$ ;  
When  $Cr > 1.0\mu F$ ,  $6 \times 10^{-4}$

Life expectancy: 100,000 hours at  $U_n$  and 70°C  
(Hotspor temperature)



## TEST GETHODS AND PERFORGANCES

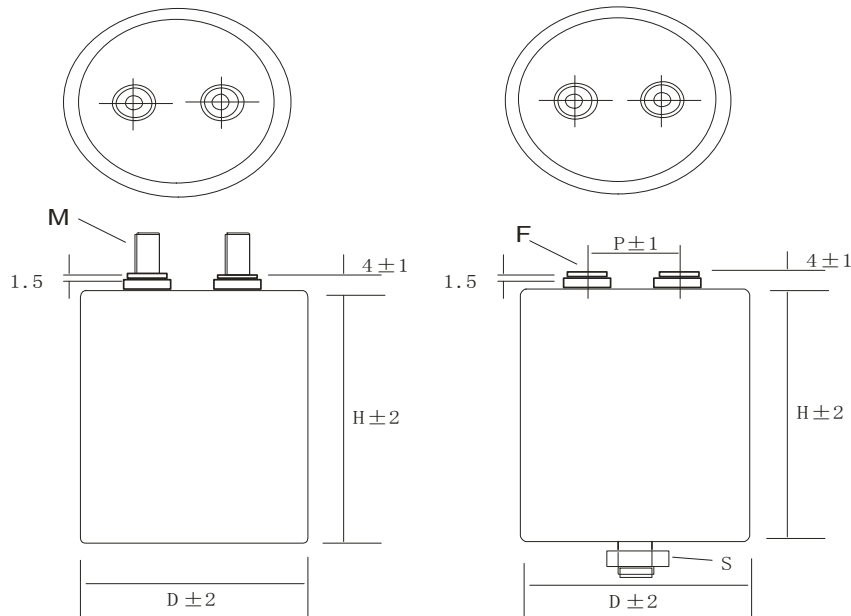
- Dielectric strength: 1.5Ur (DC) applied for 10s at 25±5°C  
(1 Ginute for type test)

Test voltage terminal to case :3000Vac,(10s 50Hz 20± 5°C)

- Insulation resistance : 3000s but need not exceed 30GΩ  
(typical value), after 1 Ginute of electrification at 100Vdc (25±5°C)

## Outline drawing

.STYLE:



**Clamp mounting**

**Stud mounting**

D (mm)	Out put						Stud mounting	
	F	Torque	M	Torque	P (mm)	T(mm)	S	Torque
76	M6×10	4.5 N.M Max	M8×20	8.5 N.M Max	32	15	M12×16	8 N.M Max
86	M6×10	4.5 N.M Max	M8×20	8.5 N.M Max	32	15	M12×16	8 N.M Max
116	M6×10	4.5 N.M Max	M8×20	8.5 N.M Max	50	15	M12×16	8 N.M Max
136	M6×10	4.5 N.M Max	M8×20	8.5 N.M Max	50	16	M12×16	8 N.M Max

## PROTECTION AGAINST OVERVOLTAGES

1.1 × Un	30% of the service period
1.15 × Un	30 min/d
1.2 × Un	5 min/d
1.3 × Un	1 min/d
1.5 × Un	100 ms no more than 1000 times

## EXPECTED LIFE

## Electrical specifications, ordering codes

Ordering Code	Cap ( $\mu$ F)	D (mm)	H (mm)	P (mm)	I <sub>rms</sub> @25°C @10kHz (A)	ESR@ 1.0kHz	RTH (k/w)	Weight (kg)
Un 800VDC Us 1200V								
DCL800K470	430	86	120	32	40	4.3	3.9	0.65
DCL800K550	550	86	155	32	46	3.7	3.5	0.85
DCL800K1000	1000	86	225	32	76	2.6	1.8	1.50
Un 1000VDC Us 1500V								
DCL1000K275	275	76	120	32	37	5.0	3.9	0.65
DCL1000K500	500	76	225	32	63	3.3	2.0	1.25
DCL1000K680	680	86	225	32	73	2.8	1.8	1.50
Un 1200VDC Us 1800V								
DCL1200K200	200	76	120	32	35	5.5	3.9	0.65
DCL1200K370	370	76	225	32	61	3.6	2.0	1.25
DCL1200K470	470	86	225	32	69	3.1	1.8	1.50
Un 1400VDC Us 2100V								
DCL1400K270	270	76	225	32	58	4.0	2.0	1.25
DCL1400K350	350	86	225	32	66	3.4	1.8	1.50
Un 1600VDC Us 2400V								
DCL1600K140	140	86	120	32	36	5.9	3.5	0.85
DCL1600K270	270	86	225	32	64	3.7	1.8	1.50
Un 1800VDC Us 2700V								
DCL1800K160	110	76	225	32	52	4.8	2.0	1.25
DCL1800K200	200	86	225	32	60	4.1	1.8	1.50
Un 2000VDC Us 3000V								
DCL2000K130	130	76	225	32	36	10.4	2.0	1.25
DCL2000K170	170	86	225	32	42	8.6	1.8	1.50
Un 2400VDC Us 3600V								
DCL2400K90	90	76	225	32	33	12.0	2.0	1.25
DCL2400K120	120	86	225	32	39	9.7	1.8	1.50
Un 3200VDC Us 4800V								
DCL3200K50	50	76	225	32	29	15.3	2.0	1.25
DCL3200K65	65	86	225	32	35	12.4	1.8	1.50

How to Order:

