

GENERAL TECHNICAL CHARACTERISTICS

- Dielectric : Polypropylene film
- Construction : Dry construction, filled by solid resin
Non-inductive type
- Case : Aluminium case
- Leads: Tinneaded insert M6 or M8 fillde with resin



ELECTRICAL CHARACTERISTICS

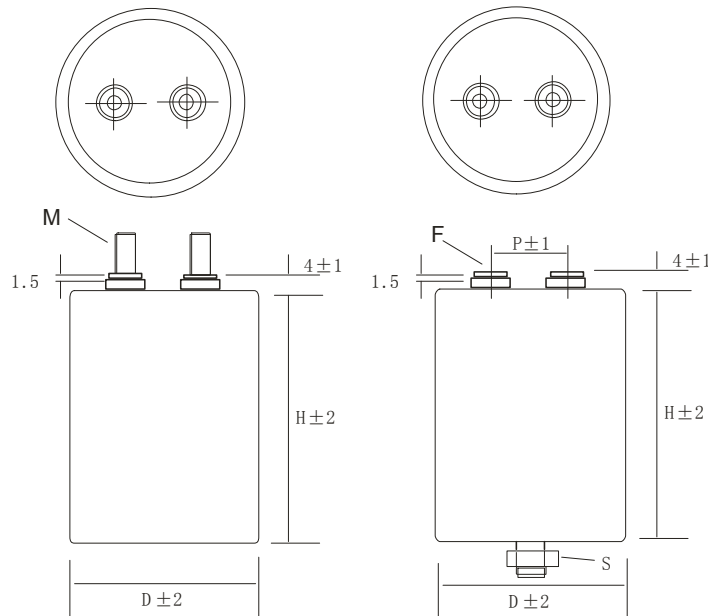
- Working teGperature : - 40 to + 85 °C
- Capacitance : 170to 1200µF
- Rated Voltage : **800Vdc**
- Tolerance : ± 5%, ± 10%
- Dissipation factor: Measured at 1000±20 Hz AND 25±5°C.
When $C_r \leq 1.0\mu F$, 4×10^{-4} ;
When $C_r > 1.0\mu F$, 6×10^{-4}
- Life expectancy: 100,000 hours at U_n and 70°C
(Hotspor temperature)

TEST GETHODS AND PERFORGANCES

- Dielectric strength: 1.5Ur (DC) applied for 10s at 25±5°C
(1 Gminute for type test)
- Test voltage terminal to case :3000Vac,(10s 50Hz 20± 5°C)
- Insulation resistance : 3000s but need not exceed 30GΩ
(typical value), after 1 Gminute of electrification at 100Vdc (25±5°C)

Outline drawing

.STYLE:



Clamp mounting

Stud mounting

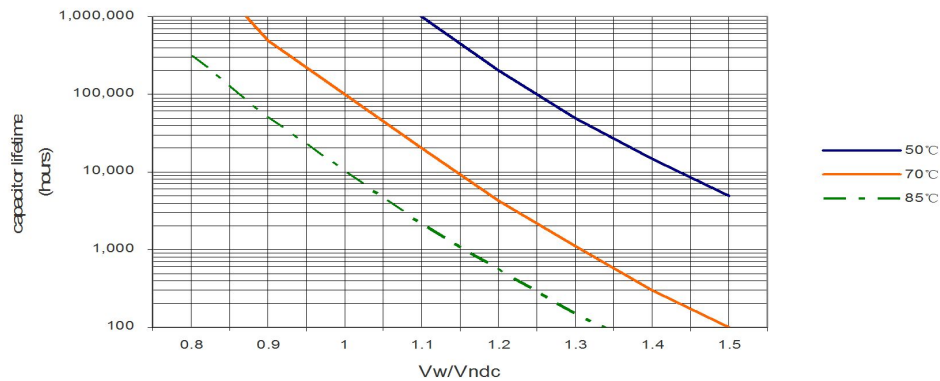
Stud mounting

| D (mm) | Out put | | | | | | Stud mounting | |
|-----------|---------|-------------|-------|-------------|--------|-------|---------------|-----------|
| | F | Torque | M | Torque | P (mm) | T(mm) | S | Torque |
| 76 | M6×10 | 4.5 N.M Max | M8×20 | 8.5 N.M Max | 32 | 15 | M12×16 | 8 N.M Max |
| 86 | M6×10 | 4.5 N.M Max | M8×20 | 8.5 N.M Max | 32 | 15 | M12×16 | 8 N.M Max |
| 116 | M6×10 | 4.5 N.M Max | M8×20 | 8.5 N.M Max | 50 | 15 | M12×16 | 8 N.M Max |
| 136 | M6×10 | 4.5 N.M Max | M8×20 | 8.5 N.M Max | 50 | 16 | M12×16 | 8 N.M Max |

PROTECTION AGAINST OVERVOLTAGES

| | |
|-----------|--------------------------------|
| 1.1 × Un | 30% of the service period |
| 1.15 × Un | 30 min/d |
| 1.2 × Un | 5 min/d |
| 1.3 × Un | 1 min/d |
| 1.5 × Un | 100 ms no more than 1000 times |

EXPECTED LIFE



Electrical specifications, ordering codes

| Part Number | Cap (µF) | D (mm) | H (mm) | P (mm) | Ipeak (KA) | Irms@25°C @10kHz (A) | ESR@ 1.0kHz | Rth (k/W) | Weight (kg) |
|-------------|----------|--------|--------|--------|------------|----------------------|-------------|-----------|-------------|
| DHD800K170 | 170 | 55 | 125 | 22.0 | 1.7 | 35 | 2.6 | 4.9 | 0.40 |
| DHD800K180 | 180 | 55 | 120 | 22.0 | 0.9 | 20 | 7.3 | 5.1 | 0.40 |
| DHD800K210 | 210 | 60 | 125 | 28.6 | 2.1 | 38 | 2.3 | 4.6 | 0.45 |
| DHD800K210 | 210 | 55 | 145 | 22.0 | 1.7 | 35 | 2.9 | 4.2 | 0.45 |
| DHD800K220 | 220 | 60 | 120 | 28.6 | 1.1 | 23 | 6.1 | 4.7 | 0.45 |
| DHD800K220 | 220 | 55 | 140 | 22.0 | 0.9 | 20 | 8.3 | 4.4 | 0.45 |
| DHD800K250 | 250 | 65 | 125 | 28.6 | 2.5 | 42 | 2.0 | 4.3 | 0.55 |
| DHD800K250 | 250 | 60 | 145 | 28.6 | 2.0 | 39 | 2.5 | 3.9 | 0.55 |
| DHD800K275 | 275 | 65 | 120 | 28.6 | 1.4 | 26 | 5.0 | 4.4 | 0.50 |
| DHD800K275 | 275 | 60 | 140 | 28.6 | 1.1 | 23 | 6.8 | 4.1 | 0.50 |
| DHD800K300 | 300 | 65 | 145 | 28.6 | 2.4 | 42 | 2.3 | 3.7 | 0.65 |
| DHD800K330 | 330 | 65 | 140 | 28.6 | 1.3 | 26 | 5.8 | 3.8 | 0.60 |
| DHD800K350 | 350 | 76 | 125 | 32.0 | 3.5 | 49 | 1.7 | 3.7 | 0.75 |
| DHD800K370 | 370 | 76 | 120 | 32.0 | 1.9 | 31 | 4.0 | 3.9 | 0.70 |
| DHD800K420 | 420 | 76 | 145 | 32.0 | 3.4 | 50 | 1.8 | 3.2 | 0.85 |

| | | | | | | | | | |
|-------------|------|----|-----|------|-----|----|-----|-----|------|
| DHD800K450 | 450 | 86 | 120 | 32.0 | 4.5 | 55 | 1.5 | 3.3 | 0.95 |
| DHD800K450 | 450 | 76 | 140 | 32.0 | 1.8 | 32 | 4.5 | 3.4 | 0.80 |
| DHD800K470 | 470 | 86 | 120 | 32.0 | 2.4 | 60 | 3.3 | 3.5 | 0.90 |
| DHD800K520 | 520 | 76 | 180 | 32.0 | 5.2 | 64 | 1.4 | 2.6 | 1.10 |
| DHD800K550 | 550 | 86 | 145 | 32.0 | 4.4 | 57 | 1.6 | 2.9 | 1.1 |
| DHD800K600 | 600 | 86 | 140 | 32.0 | 2.4 | 37 | 3.6 | 3.0 | 1.0 |
| DHD800K630 | 630 | 76 | 210 | 32.0 | 5.0 | 68 | 1.5 | 2.2 | 1.2 |
| DHD800K680 | 680 | 86 | 180 | 32.0 | 6.8 | 72 | 1.3 | 2.3 | 1.30 |
| DHD800K720 | 720 | 76 | 225 | 32.0 | 3.6 | 55 | 2.4 | 2.0 | 1.3 |
| DHD800K800 | 800 | 86 | 210 | 32.0 | 6.4 | 75 | 1.3 | 2.0 | 1.6 |
| DHD800K900 | 900 | 76 | 265 | 32.0 | 3.6 | 58 | 2.7 | 1.7 | 1.5 |
| DHD800K950 | 950 | 86 | 225 | 32.0 | 5.0 | 65 | 2.0 | 1.8 | 1.6 |
| DHD800K1000 | 1000 | 96 | 180 | 32.0 | 6.9 | 76 | 2.5 | 1.5 | 1.6 |
| DHD800K1200 | 1200 | 86 | 265 | 32.0 | 4.8 | 68 | 2.2 | 1.5 | 1.9 |

Part Numbering System :

How to Order:

