

GENERAL TECHNICAL CHARACTERISTICS

- Dielectric : Polypropylene film
- Construction : Extended double side Metallized carrier film with internal series connection and Metallized film
- Case : Self extinguishing plastic UL94V0
- Leads : Tinned insert M6 fillde with resin

ELECTRICAL CHARACTERISTICS

- Working teGperature : - 40 to + 85 °C
- Capacitance : 6.8 to 500µF
- Rated Voltage : 500VDC~2200Vdc
- Tolerance : ± 5%, ± 10%
- Dissipation factor: Measured at 1000±20 Hz AND 25±5°C.
When $C_r \leq 1.0\mu F$, 4×10^{-4} ;
When $C_r > 1.0\mu F$, 6×10^{-4}

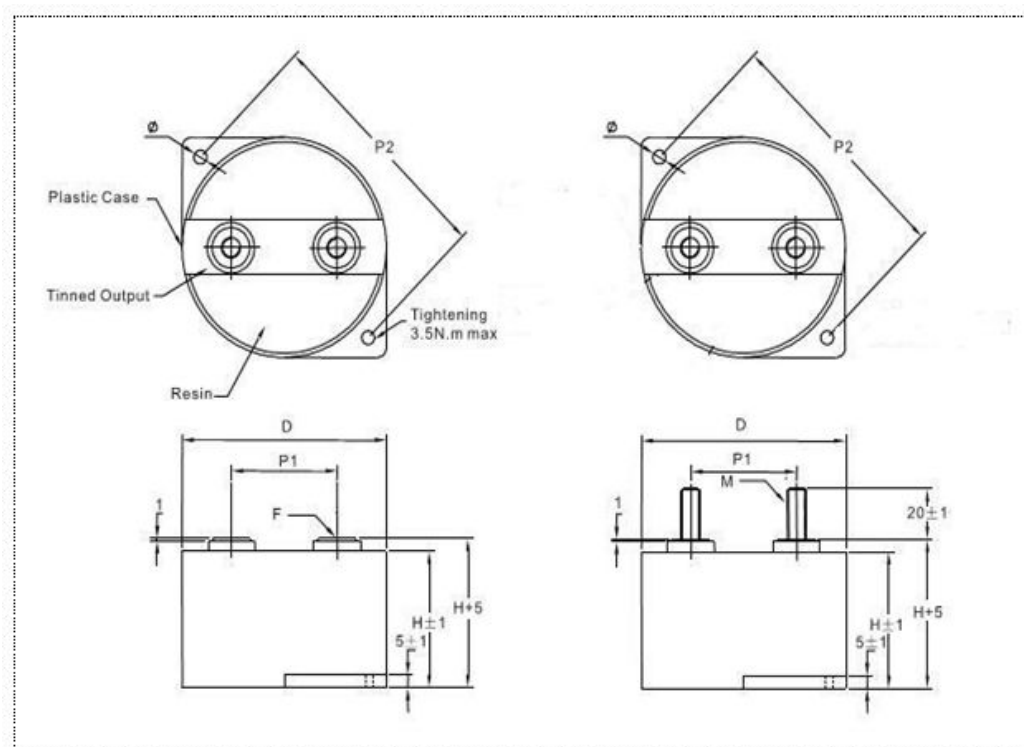
Life expectancy: 100,000 hours at U_n and 70°C
(Hotspor temperature)

TEST GETHODS AND PERFORGANCES

- Dielectric strength: 1.5Ur (DC) applied for 10s at 25±5°C
(1 G minute for type test)
- Insulation resistance : 3000s but need not exceed 30GΩ
(typical value), after 1 G minute of electrification at 100Vdc (25±5°C)



Outline drawing

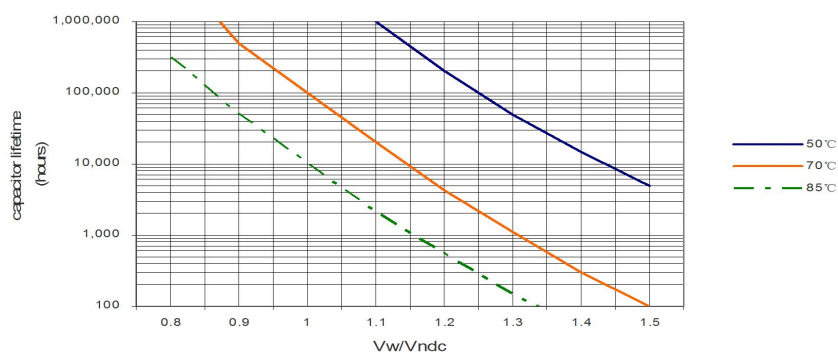


Case code	D (mm)	Out put		P1 (mm)	P2 (mm)	φ (mm)
		1	2			
1	87	M8*20	M6*8	45±1	100	5.5
2	115	M10*20	M6*8	60±1	132	6.5

Electrical specifications, ordering codes: DHF

Part Number	Capacitance (μF)	Diameter r (mm)	Height † (mm)	Ls max. (nH)	du/dt (v/μs)	Irms max. (A)	ESR (mΩ)	Rth (k/W)
Un dc 350V								
DHF350K220	220	87	50	30	22	90	0.9	5.9
Un dc 500V								
DHF500K125	125	87	40	25	37	90	0.7	6.8
DHF500K200	200	87	50	32	25	90	0.8	5.9
DHF500K275	275	87	64	40	16	85	0.9	5.0
Un dc 700V								
DHF700K100	100	87	40	25	48	90	0.6	6.8
DHF700K150	150	87	50	32	32	90	0.7	5.9
DHF700K220	220	87	64	40	21	85	0.9	5.0
Un dc 900V								
DHF900K68	68	87	40	25	56	80	0.8	6.8
DHF900K100	100	87	50	32	37	80	0.9	5.9
DHF900K140	140	87	64	40	25	75	1.2	5.0
Un dc 1100V								
DHF900K47	47	87	40	25	73	75	0.9	6.8
DHF900K68	68	87	50	32	49	75	1.1	5.9
DHF900K100	100	87	64	40	33	70	1.4	5.0
Un dc 1200V								
DHF1200K25	25	87	40	25	90	60	1.2	6.8
DHF1200K35	35	87	50	32	70	60	1.5	5.9
DHF1200K50	50	87	64	40	50	55	2.0	5.0
Un dc 1500V								
DHF1500K18	18	87	40	25	113	55	1.2	6.8
DHF1500K25	25	87	50	32	85	55	1.7	5.9
DHF1500K35	35	87	64	40	60	50	2.2	5.0
Un dc 1800V								
DHF1800K10	10	87	40	25	175	50	1.5	6.8
DHF1800K15	15	87	50	32	120	50	2.0	5.9
DHF1800K22	22	87	64	40	80	45	2.5	5.0
Un dc 2200V								
DHF2200K6.8	6.8	87	40	25	200	50	1.7	6.8
DHF2200K10	10	87	50	32	150	50	2.3	5.9
DHF2200K15	15	87	64	40	100	45	2.9	5.0

LIFETIME EXPECTANCY vs HOT SPOT TEMPERATURE AND VOLTAGE



Vw : permanent working or operating DC-voltage

Part Numbering System : DHF 900 -300-M6" = style "A B C D"

How to Order:

