

GENERAL TECHNICAL CHARACTERISTICS

Dielectric : Polypropylene film
 Construction : Dry construction, filled by solid resin
 Non-inductive type
 Case : Dry construction
 Leads: Tinned copper lugs(焊片引出)

ELECTRICAL CHARACTERISTICS

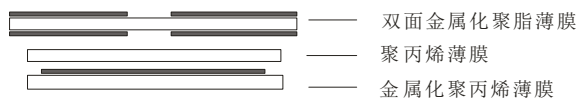
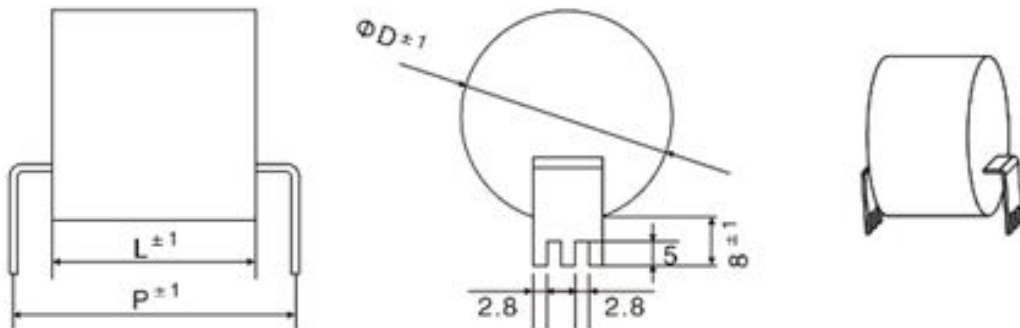
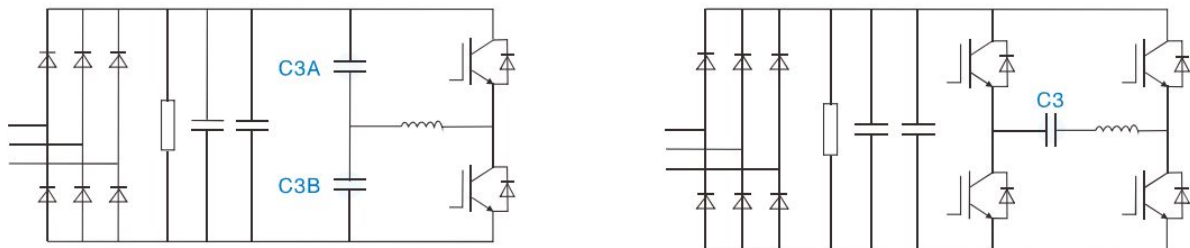
Working temperature : - 40 to + 85 °C
 Capacitance : 0.4 to 0.7μF
 Rated Voltage : 1600~3000Vdc
 Tolerance : ± 5%, ± 10%
 Dissipation factor: Measured at 1000±20 Hz AND 25±5°C.
 When $Cr \leq 1.0\mu F$, 4×10^{-4} ;
 When $Cr > 1.0\mu F$, 6×10^{-4}
 Life expectancy: 10,000 hours at U_n and 70°C
 (Hotspot temperature)



TEST METHODS AND PERFORMANCES

Dielectric strength: 1.5Ur (DC) applied for 10s at 25±5°C
 (1 minute for type test)
Test voltage terminal to case :3000Vac,(10s 50Hz 20± 5°C)
 Insulation resistance : 5000s but need not exceed 30GΩ
 (typical value), after 1 minute of electrification at 100Vdc (25±5°C)

应用电路图:



Article table/参数表

Part Number	Capacitance (μ F)	Diameter (mm)	Length (mm)	P (MM)	du/dt (V/ μ s)	I _{rms} (A)
UN =2000V.DC						
DVR-2000-274	0.27	40	27	34	1000	25
DVR-2000-304	0.30	36	30	34	1000	30
DVR-2000-334	0.33	38	30	34	1000	30
DVR-2000-404	0.40	40	30	34	1000	40
DVR-2000-434	0.43	42	30	34	1000	40
DVR-2000-474	0.47	45	30	34	1000	40
DVR-2000-504	0.50	46	30	34	1000	45
DVR-2000-604	0.60	50	30	34	1000	45
UN =3000V.DC						
DVR-3000-104	0.10	25	40	44	1500	25
DVR-3000-204	0.20	30	40	44	1500	35
DVR-3000-304	0.30	35	40	44	1500	35
DVR-3000-404	0.40	40	40	44	1500	40
DVR-3000-434	0.43	42	40	44	1500	40
DVR-3000-474	0.47	45	40	44	1500	40
DVR-3000-504	0.50	46	40	44	1500	45
DVR-3000-604	0.60	50	40	44	1500	45
DVR-3000-704	0.70	53	40	44	1500	50

更多规格,可按客户要求订做!

How to Order:

DVR- 1200 - 334 K L

