

*GL-Star4 MR16 5W*

**Product features**

- Professional LED lamp
- Very low energy consumption
- Extremely long life
- Robust against vibrations
- Mercury-free lamps
- No UV and near-IR radiation in the light beam
- Efficient generation of white light
- High color consistency



**Product application**

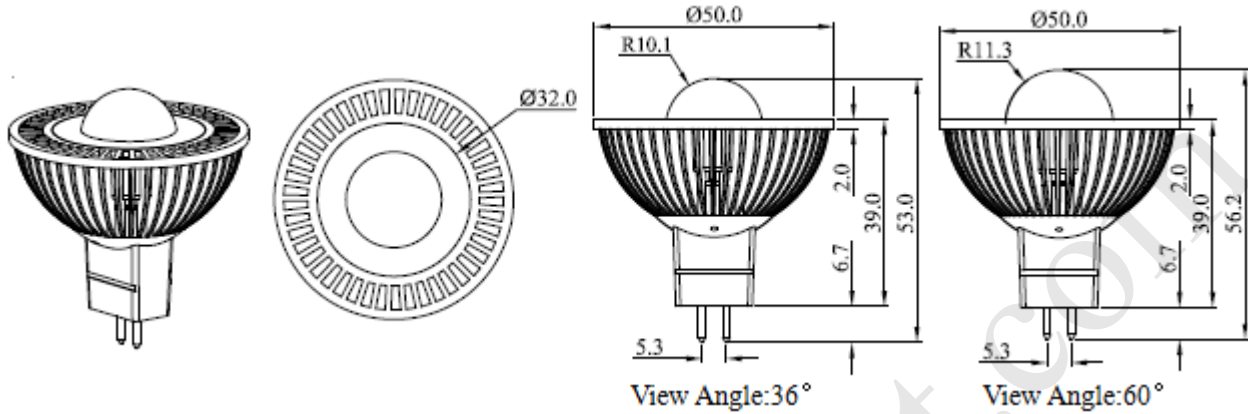
- Directional light sources
- As a downlight for marking walkways, doors, stairs, etc.
- Exhibitions, department stores
- Hospital
- Shops
- Hotel
- Houses
- Bar
- Office
- Directly in place of 25W halogen light

**Electrical and Optical Characteristics (Ta=25 °C):**

Type No.	Input Voltage	Lumens (LM) Typ.	LED Type	CCT(K) Typ.	CRI	View Angle
GEMR165-W43T	AC/DC 12V	320	CREE XH-G	5500	80	36°
GEMR165-V43T	AC/DC 12V	280	CREE XH-G	3000	85	36°
GEMR165-W46T	AC/DC 12V	320	CREE XH-G	5500	80	60°
GEMR165-V46T	AC/DC 12V	280	CREE XH-G	3000	85	60°

*GL-Star4 MR16 5W*

Dimensions:



All dimensions are in millimeters  
 The main material: Aluminum  
 Surface treatment: Spray paint  
 Connector type: GU5.3  
 Weight: 45g

LED type:

Ceramic substrate  
 High reliability  
 High brightness  
 High luminous efficiency  
 High color rendering index  
 Very low brightness decay



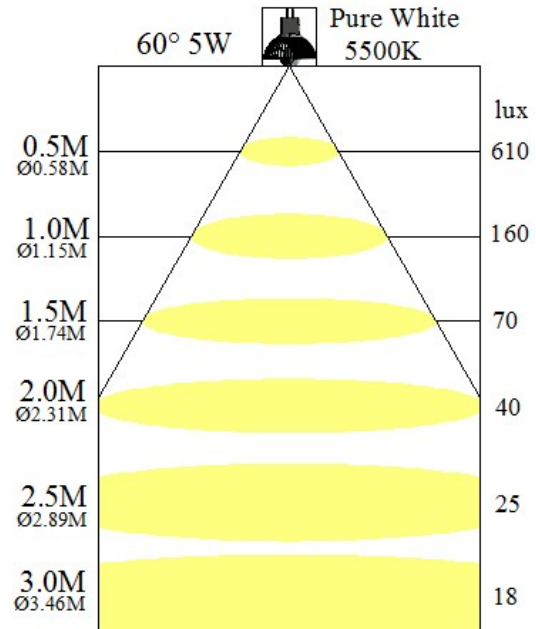
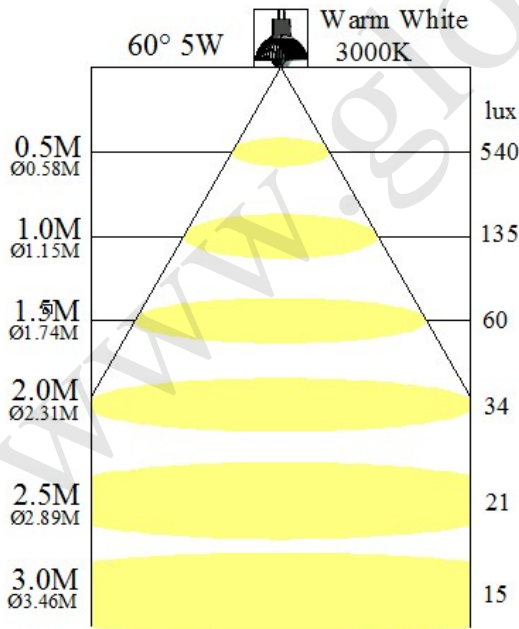
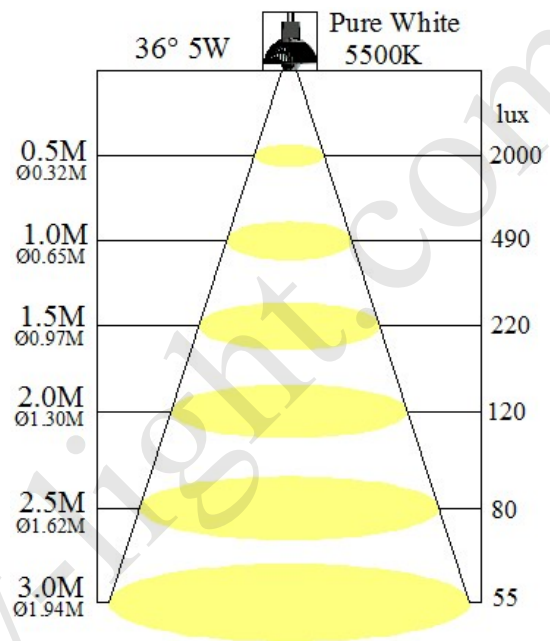
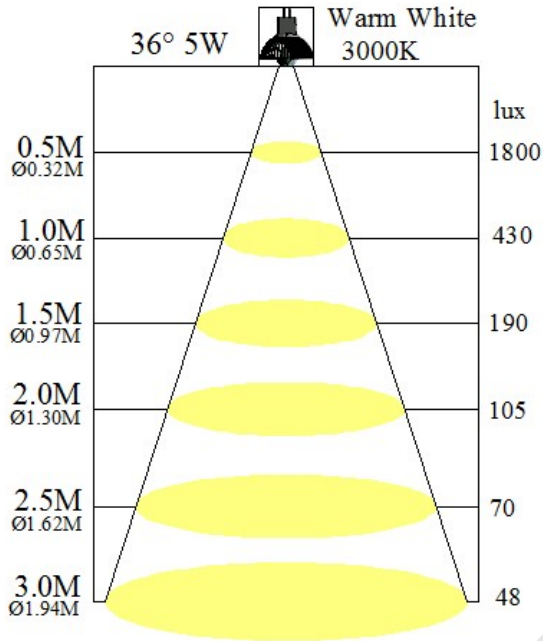
**CREE XH-G**

Absolute Maximum Ratings at Ta=25 °C:

Parameter	Symbol	Rating
Input Voltage	U	AC/DC 12 V
Power Dissipation	Pw	5W
Operating Life	LH	50000H
Operating Temperature Range	Topr.	-40 to +45°C
Storage Temperature Range	Tstg.	-40 to +85°C
Operating Humidity(non-condensing)	%	20~90 RH
Water proof	-	IP40

*GL-Star4 MR16 5W*

Average Effective Illumination:



*GL-Star4 MR16 5W*

---

**Packing specification:**

10 lamps in an Inner box, one master carton contain 20 inner boxes;

Inner Carton Size: 29.5CM x12CM x 8.5CM ; Inner Carton G.W.: 0.6KG

Master Carton Size: 50CM X 31CM X 44CM; Master Carton G.W.: 14KG

**Note:**

1. Operating voltage for this LED lamp is AC / DC 12V, so make sure the operating voltage suitable before connecting power supply to the spotlight, and then choose the correct power supply for it. Because incorrect connection of voltage lighting may cause permanent damage.
2. This item is semi-outdoor application product, do not use it in the places where will be showered by rain.
3. Use lamp holder matching lamp holder when it is installed .
4. The initial budget for required number of lamps should be made when it is installed overall , then calculate the total power and design the power distribution schemes according to the budgeted numbers and power consumption of a single lamp.
5. Before using, please check whether fixtures have been damaged during transport. If there is damage, immediately notify the supplier to deal with the matter. This product can only be used in good condition.
6. Lamps should be installed firmly, never loose swing.
7. In order to ensure the best using effects of the fixtures and use them safely, please follow the instructions and reminders on this specification. No compensation will be made if the damage were caused by not following this specification , the supplier is also not responsible for any problems and defects of goods.
8. Keep lamps far away from the heat source; maintain a ventilated and breathable work environment for them. When the lamps' work environment temperature is kept below 25 °C, its life will be longer.
9. Lamps shall not be disassemble by oneself.