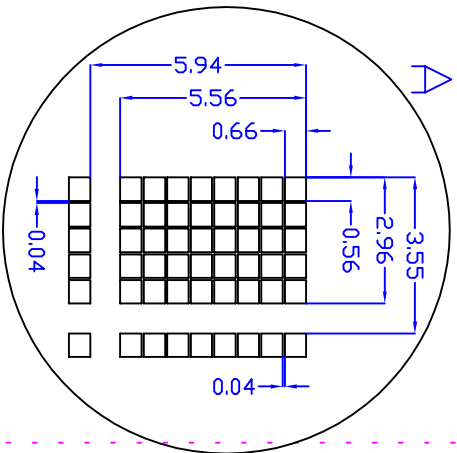
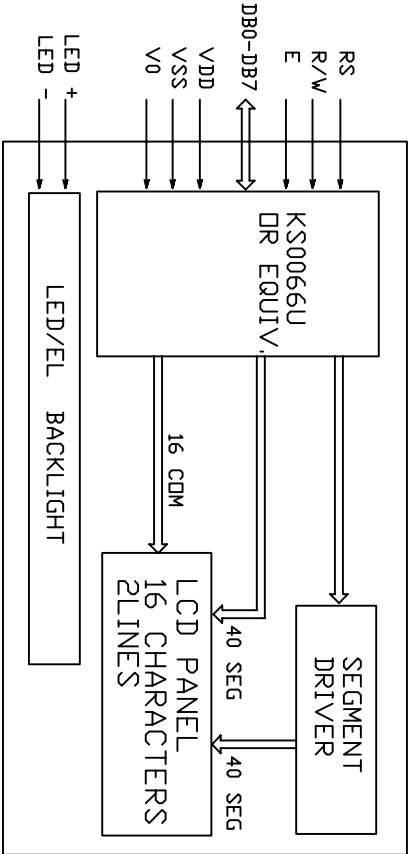


* FOR LED BACKLIGHT
 T1=14.0MAX T2=9.0±0.3
 * FOR EL OR ND BACKLIGHT
 T1=10.0MAX T2=5.0±0.3



NLV-C1626A

16 CHARACTERS X 2 LINES

泰立微科技有限公司

NLV YOUR SUPPLIER AND YOUR PARTNER!



ALL DIMENSIONS ARE IN MM. TOLERANCE IS +/-0.2 UNLESS OTHERWISE NOTED.



REVISIONS

| NO. | DATE | BY | DESCRIPTION |
|-----|----------|-----|-------------|
| 1 | 01/06/18 | NLV | NEW RELEASE |

| PINS ASSIGNMENT | |
|-----------------|--|
| NO. | SYMBOL DESCRIPTION |
| 1--8 | DB7--DB0 DATA BUS 1-DB7..8-DB0 |
| 9 | E ENABLE SIGNAL |
| 10 | R/W READ/WRITE CONTROL |
| 11 | RS DATA/INSTRUCTION SELECT |
| 12 | V0 OPERATING VOLTAGE FOR LCD |
| 13 | VSS POWER SUPPLY |
| 14 | VDD POWER SUPPLY FOR LED BACKLIGHT (+) |
| K | POWER SUPPLY FOR LED BACKLIGHT (-) |

| ABSOLUTE MAXIMUM RATING | | | |
|-------------------------|---------|------|------|
| ITEM | SYMBOL | MIN | MAX |
| POWER SUPPLY(VDD) | VDD-VSS | -0.3 | 7.0 |
| POWER SUPPLY(LCD DRV) | VDD-V0 | -0.3 | 13.5 |
| INPUT VOLTAGE | VI | -0.3 | VDD |

| ELECTRICAL CHARACTERISTICS (VDD=5.0±0.25V, 25°C) | | | | |
|--|--------|------|-----|------|
| ITEM | SYMBOL | MIN | TYP | MAX |
| VOLTAGE FOR LOGIC(VDD-VSS) | | 4.75 | 5.0 | 5.25 |
| SUPPLY CURRENT | IDD | - | 1.3 | 2.2 |
| VOLTAGE FOR LCD | VDD-V0 | - | 4.7 | - |
| INPUT VOLTAGE | VH | 2.2 | - | VDD |
| | VL | -0.3 | - | 0.6 |
| OUTPUT VOLTAGE | Voh | 2.4 | - | - |
| | Vol | - | - | 0.4 |
| BACKLIGHT VOLTAGE | VA-VK | - | 4.1 | 4.3 |

| MECHANICAL SPECIFICATIONS | | |
|---------------------------|------------------------------|------|
| ITEM | SPECIFICATION | UNIT |
| OVERALL SIZE | 85.0V x 30.0H x 14.0T(10.0T) | MM |
| VIEWING AREA | 64.5V x 16.4H | MM |
| CHARACTERS | 16 CHARACTERS x 2 LINES | MM |
| CHARACTER SIZE | 2.96V x 5.56H | MM |
| CHARACTER PITCH | 3.55V x 5.94H | MM |

| OPTIONS | |
|---------|--|
| 1. | LCD TYPE: Y/G STN, GRAY STN, TN |
| 2. | BACKLIGHT: WITHOUT BACKLIGHT, LED, EL |
| 3. | COLOR OF BACKLIGHT: Y/G, BLUE, WHITE |
| 4. | TEMPERATURE RANGE: NORMAL(0--50C) EXTENDER(-20--70C) |
| 5. | POWER SUPPLY: 5.0V, 3.0V |
| 6. | VIEWING ANGLE: 6H, 12H |
| 7. | CHARACTER TABLE: JAPANESE, EUROPEAN, CYRILLIC |