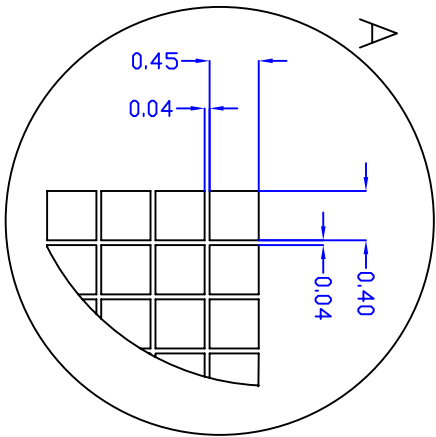
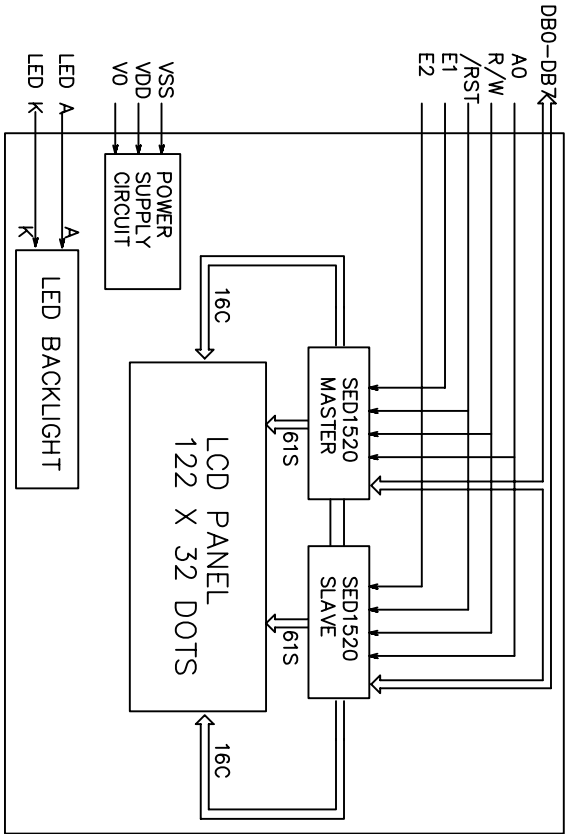


* FOR LED BACKLIGHT
 T1=14.0MAX T2=9.0±0.3
 * FOR EL OR NO BACKLIGHT
 T1=11.0MAX T2=6.0±0.3



REVISIONS

NO.	DATE	BY	DESCRIPTION
1	04/08/16	NLV	NEW RELEASE

PINS ASSIGNMENT	
NO.	DESCRIPTION
1	SYSBOL GROUND
2	VSS POWER SUPPLY FOR LOGIC AND LCD
3	VDD VDD
4	V0 CONTRAST ADJUST
5	A0 DATA/INSTRUCTION SELECT
6	E1 READ/WRITE ENABLE SIGNAL(MASTER)
7	E2 READ/WRITE ENABLE SIGNAL(SLAVE)
8	NC NO CONNECTION
9	R/W READ/WRITE SELECT
10-17	DB0-DB7 DATA BUS
18	RST RESET SIGNAL(LOW EFFECTIVE)
19	A POWER SUPPLY FOR LED BACKLIGHT(+)
20	K POWER SUPPLY FOR LED BACKLIGHT(-)

ABSOLUTE MAXIMUM RATING			
ITEM	SYMBOL	MIN	MAX
POWER SUPPLY(LOGIC)	VDD-VSS	0	6.5
POWER SUPPLY(LCD DRV.)	VDD-V0	0	10.0
INPUT VOLTAGE	V _I	V _I	V _{DD}

ELECTRICAL CHARACTERISTICS					
ITEM	SYMBOL	MIN	TYP	MAX	UNIT
VOLTAGE FOR LOGIC	VDD-VSS	4.75	5.0	5.25	V
SUPPLY CURRENT	IDD	-	300	500	µA
LED OPERATING VOLTAGE	OC	-	5.5	-	V
	25C VDD-V0	-	4.8	-	V
	40C	-	4.6	-	V
INPUT VOLTAGE	H	0.8VDD	-	VDD	V
	L	VIL	0	0.2VDD	V

MECHANICAL SPECIFICATIONS		
ITEM	SPECIFICATION	UNIT
OVERALL SIZE	84.0W x 44.0H x 14.0T(10.0T)	MM
VIEWING AREA	60.5W x 18.5H	MM
DOT NUMBER	122 x 32	DOTS
DOT SIZE	0.40W x 0.45H	MM
DOT PITCH	0.44W x 0.49H	MM

OPTIONS	
1. LCD TYPE:	Y/G STN; GRAY STN; LED; EL
2. BACKLIGHT:	WITHOUT BACKLIGHT; LED; EL
3. COLOR OF BACKLIGHT:	Y/G; BLUE; WHITE
4. TEMPERATURE RANGE:	NORMAL(0--50C); EXTENDED(-20--70C)
5. POWER SUPPLY:	ON BOARD DC/DC(SINGLE 5.0V); DUAL POWER SUPPLY(5.0V & -5.0V)
6. VIEWING ANGLE:	6H; 12H

NLV-G122322C

122 X 32 DOTS GRAPHIC LCM



NLV-TECH CO. LTD.

NLV, YOUR SUPPLIER, AND YOUR PARTNER!

ALL DIMENSIONS ARE IN MM. TOLERANCE IS +/-0.2 UNLESS OTHERWISE NOTED.

