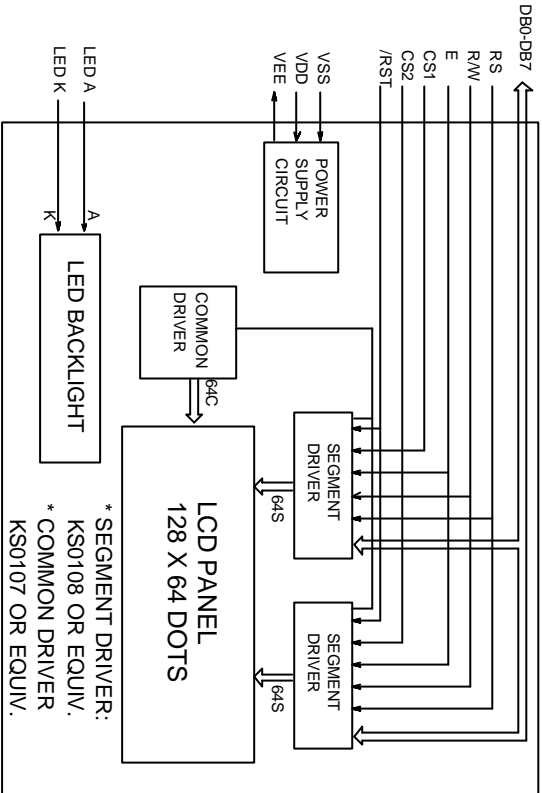
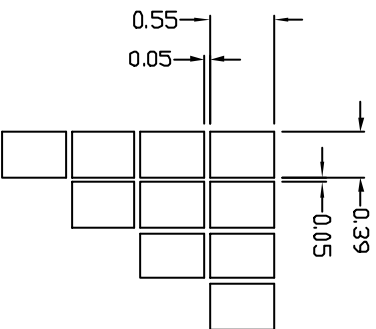


\* FOR LED BACKLIGHT  
 T1=14.0MMAX T2=9.0±0.3  
 \* FOR EL OR NO BACKLIGHT  
 T1=11.0MMAX T2=6.0±0.3



\* SEGMENT DRIVER:  
 KS0108 OR EQUIV.  
 \* COMMON DRIVER  
 KS0107 OR EQUIV.



REVISIONS

NO.	DATE	BY	DESCRIPTION
1	01/09/19	NLV	NEW RELEASE

PINS ASSIGNMENT	
NO.	SYMBOL DESCRIPTION
1	VSS GROUND
2	VDD POWER SUPPLY FOR LOGIC AND LCD
3	V0 OPERATING VOLTAGE FOR LCD
4	RS DATA/INSTRUCTION SELECT
5	R/W READWRITE SELECT
6	E ENABLE SIGNAL
7-14	DB0-DB7 DATA BUS
15	CS1 CHIP SELECT OF IC1 (HIGH EFFECTIVE)
16	CS2 CHIP SELECT OF IC2 (HIGH EFFECTIVE)
17	/RST RESET SIGNAL(LOW EFFECTIVE)
18	VEE NEGATIVE VOLTAGE OUTPUT/INPUT
19	A POWER SUPPLY FOR LED BACKLIGHT(+)
20	K POWER SUPPLY FOR LED BACKLIGHT(-)

ABSOLUTE MAXIMUM RATING			
ITEM	SYMBOL	MIN	MAX
POWER SUPPLY(LOGIC)	VDD-VSS	0	6.5
POWER SUPPLY(LCD DRV.)	VDD-V0	0	18.0
INPUT VOLTAGE	VI	VI	VDD

ELECTRICAL CHARACTERISTICS				
ITEM	SYMBOL	MIN	TYP	MAX
VOLTAGE FOR LOGIC	VDD-VSS	4.75	5.0	5.25
SUPPLY CURRENT	IDD	-	5.1	9.8
	0C	-	9.2	-
	25C	-	9.0	-
	40C	-	8.8	-
LCD OPERATING VOLTAGE	VDD-V0	-	-	-
	H	VH	0.7VDD	-
	L	VIL	0	0.3VDD

MECHANICAL SPECIFICATIONS		
ITEM	SPECIFICATION	UNIT
OVERALL SIZE	78.0W x 70.0H x 14.0T(11.0T)	MM
VIEWING AREA	62.0W x 44.0H	MM
DOT NUMBER	128 x 64	DOTS
DOT SIZE	0.39W x 0.55H	MM
DOT PITCH	0.44W x 0.50H	MM

OPTIONS	
1.	LCD TYPE: Y/G STN; GRAY STN; BW FSTN
2.	BACKLIGHT: WITHOUT BACKLIGHT; LED; EL
3.	COLOR OF BACKLIGHT: Y/G; BLUE; WHITE
4.	TEMPERATURE RANGE: NORMAL(0--50C); EXTENDED(-20--70C)
5.	POWER SUPPLY: ON BOARD DC/DC(SINGLE 5.0V); DUAL POWER SUPPLY(5.0V & -5.0V)
6.	VIEWING ANGLE: 6H; 12H

NLV-G128641A

128 X 64 DOTS GRAPHIC LCM



泰之微科技有限公司

NLV, YOUR SUPPLIER, AND YOUR PARTNER!

ALL DIMENSIONS ARE IN MM. TOLERANCE IS +/-0.2 UNLESS OTHERWISE NOTED.

