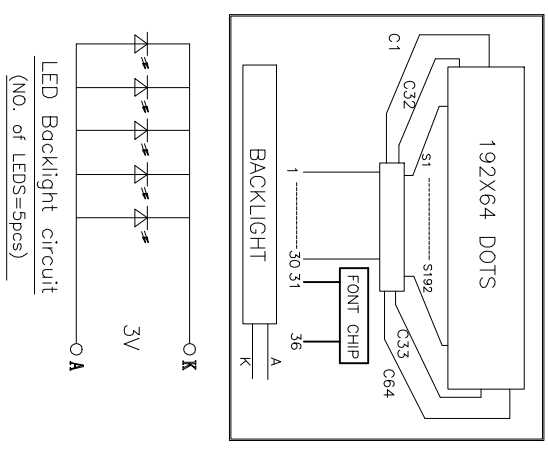
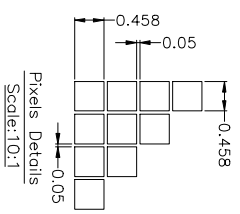
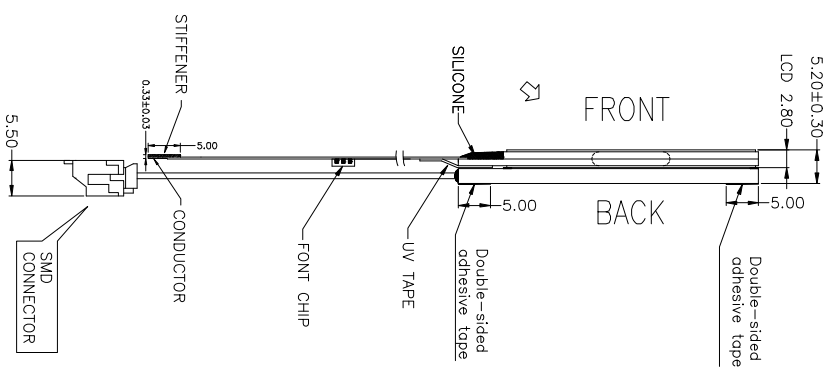
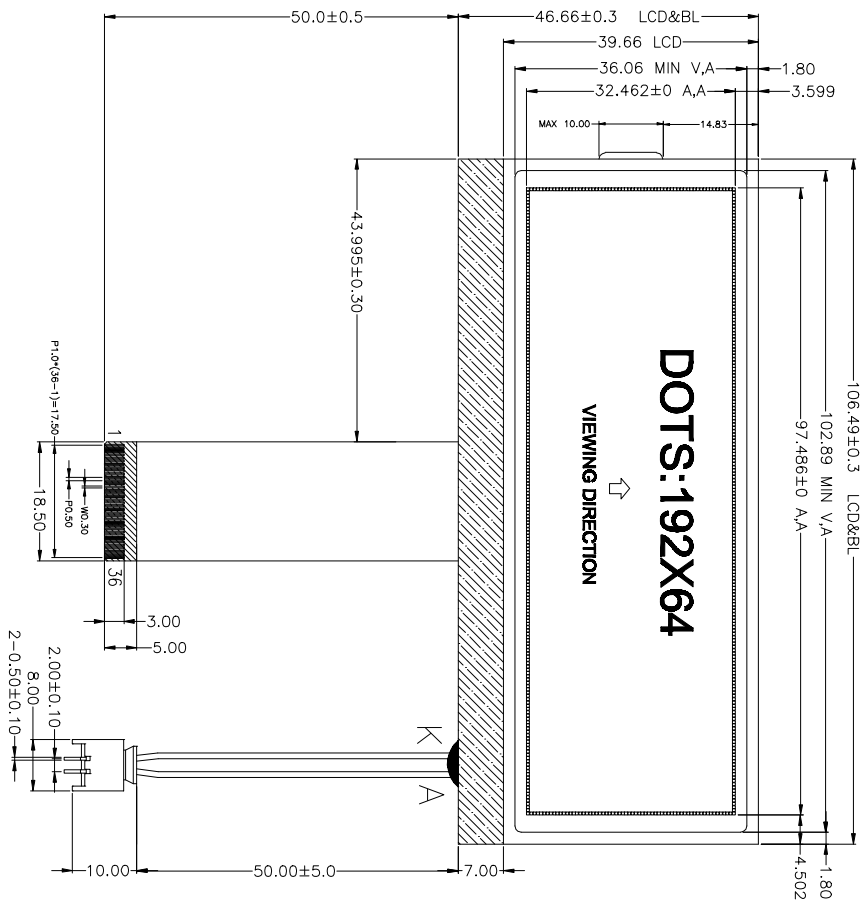


Customer:



| PN NO. | SIGNAL | PN NO. | SIGNAL |
|--------|--------|--------|-----------|
| 1 | HPMB | 19 | D5 |
| 2 | CB6 | 20 | D4 |
| 3 | V4 | 21 | D3 |
| 4 | V3 | 22 | D2 |
| 5 | V2 | 23 | D1 |
| 6 | V1 | 24 | D0 |
| 7 | V0 | 25 | E.R0 |
| 8 | CA#2- | 26 | R/L_W/R |
| 9 | CA#2+ | 27 | A0 |
| 10 | CA#1- | 28 | RES1 |
| 11 | CA#1+ | 29 | CSB |
| 12 | CA#3+ | 30 | VSS |
| 13 | VPP | 31 | VCC(FONT) |
| 14 | VOUT | 32 | S0(FONT) |
| 15 | V0D | 33 | S1(FONT) |
| 16 | FS | 34 | sec(FONT) |
| 17 | D7 | 35 | VSS(FONT) |
| 18 | D6 | 36 | CS(FONT) |

NOTE:

- 1.DISPLAY TYPE: FSTN
- 2.LCD POLARIZER TYPE: TRANSPARENT/POSITIVE
- 3.VIEWING DIRECTION: 6 O'CLOCK
- 4.OPERATING VOLTAGE: VDD:3V ; Vop:9V
- 5.DRIVE METHOD: 1/64 DUTY,1/9 BIAS
- 6.OPERATING TEMP: -20 ~ +70°C
- 7.STORAGE TEMP: -30 ~ +80°C
- 8.LCD CONNECTOR: COG+FPC+BL
- 9.BACK LIGHT: White Color LED Backlight VF:3V IF: 80mA
- 10.INTERFACE: PARALLEL 8080/6800 8BIT SERIAL 4LINE SPI
- 11.Unspecified tolerance is ±0.20mm

深圳市荣鑫凯电子科技有限公司

LCM PART NUMBER: RXK19264FS-1

DRAWN BY :JIM CHECKED BY : APPROVED BY :

| | |
|---------------|----------|
| | 29 |
| UNIT: MM | SIZE: A4 |
| SHEET: 1 OF 1 | REV: A0 |